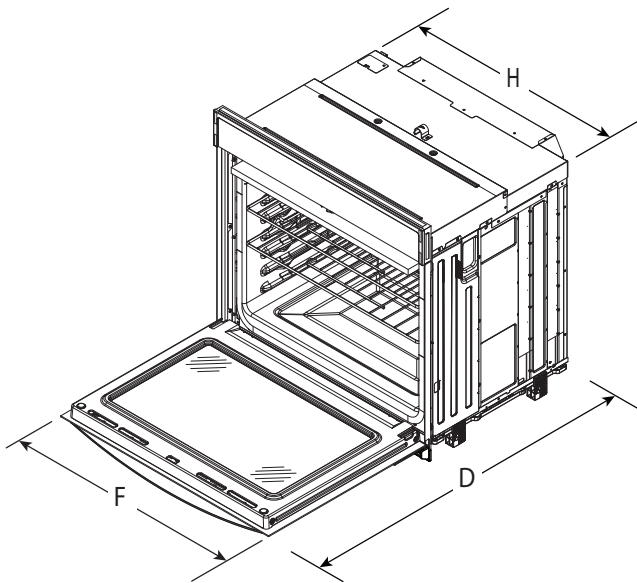


DIMENSION GUIDE

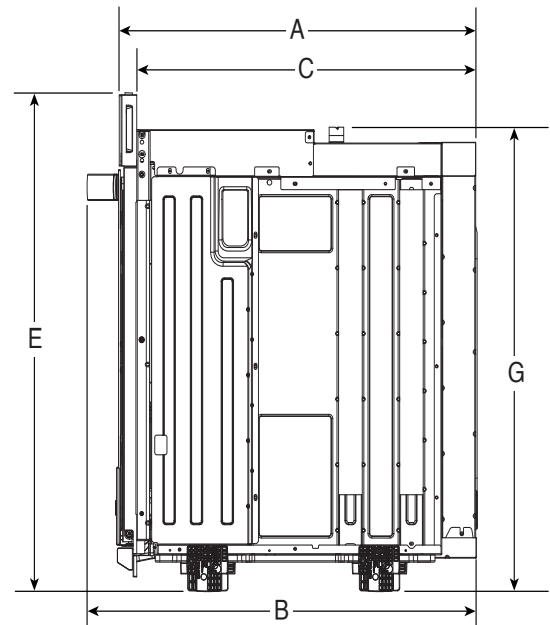
JENNAIR® ELECTRIC SINGLE WALL OVEN

PRODUCT: JOESC330RL; JOESC330RM; JOESC530RL; JOESC530RM; JOESC730RL; JOESC730RM

APPLIANCE:		30" ELECTRIC SINGLE WALL OVEN			
		JOESC330RL00; JOESC530RL00; JOESC730RL00		JOESC330RM00; JOESC530RM00; JOESC730RM00	
	Units	in	cm	in	cm
A	Depth Closed Excluding Handle (Flush Install)	24 ⁷ / ₁₆	61.9	24 ⁷ / ₁₆	62
B	Depth Closed Including Handle	27 ⁵ / ₁₆	69.3	26 ¹ / ₂	67.2
C	Depth to Back of Console (Standard Install)	23 ¹ / ₁₆	58.6	23 ¹ / ₁₆	58.6
D	Depth with Door Open 90°	46 ³ / ₁₆	117.3	46 ³ / ₁₆	117.3
E	Maximum Height (Including Console)	31 ¹ / ₁₆	78.9	31	78.8
E	Minimum Height (Including Console)	29 ⁵ / ₁₆	74.4	29 ¹ / ₄	74.3
F	Face Width	29 ³ / ₄	75.6	29 ³ / ₄	75.8
G	Maximum Height (Not Including Console)	27 ³ / ₄	70.4	27 ³ / ₄	70.4
G	Minimum Height (Not Including Console)	26	65.9	26	65.9
H	Recessed Width	28 ³ / ₈	71.9	28 ³ / ₈	71.9



ANGLED VIEW



SIDE VIEW

IMPORTANT: Dimensional specifications are provided for planning purposes only. Do not make any cutouts based on this information. Refer to the Owner's Manual before selecting cabinetry, verifying electrical/gas connections, making cutouts or beginning installation.

Location Requirements

IMPORTANT: Observe all governing codes and ordinances.

- Cabinet opening dimensions that are shown must be used. Given dimensions provide minimum clearance with oven.
- Recessed installation area must provide complete enclosure around the recessed portion of the oven.
- Grounded electrical supply is required. See "Electrical Requirements" section.
- Electrical supply junction box should be located 3" (7.6 cm) maximum above the support surface when the oven is installed in a wall cabinet. A 1" (2.5 cm) minimum diameter hole should have been drilled in the right rear or left rear corner of the support surface to pass the appliance cable through to the junction box.

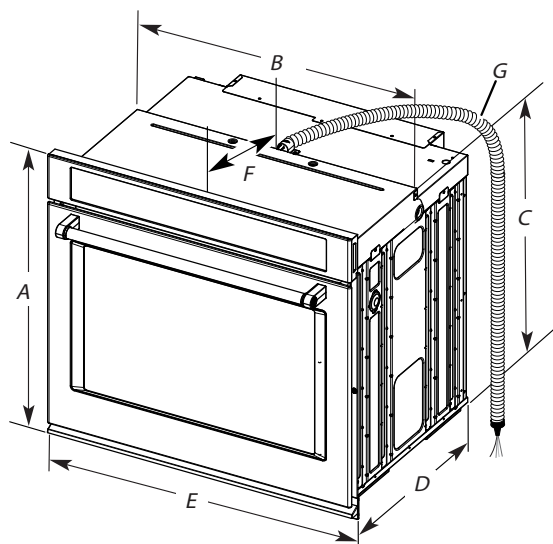
NOTE: For undercounter installation, it is recommended that the junction box be located in the adjacent right or left cabinet. If you are installing the junction box on rear wall behind oven, it is recommended that the junction box be recessed and located in the upper center of the cabinet.

- Oven support surface must be solid, level, and flush with bottom of cabinet cutout.
- Floor must be able to support a single oven weight of 215 lbs (97.5 kg) for 30" (76.2 cm) models.

IMPORTANT: To avoid damage to your cabinets, check with your builder or cabinet supplier to make sure that the materials used will not discolor, delaminate or sustain other damage. This oven has been designed in accordance with the requirements of UL and CSA International and complies with the maximum allowable wood cabinet temperatures of 194°F (90°C).

- On single and double oven models installed above a warming drawer or for ovens installed using flush installation cabinetry, a deflector assembly must be installed. See "Install Deflector Assembly" section of the owner's manual for further instruction.

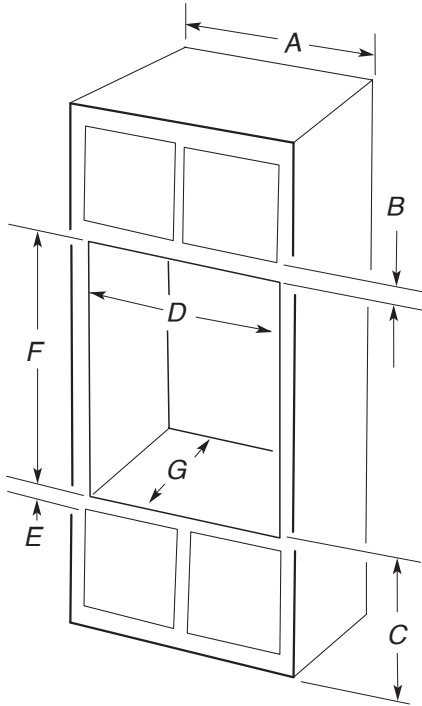
Product Dimensions - Single Ovens, Standard Installation



30" (76.2 cm) models

- A. 29³/₄" (75.6 cm) maximum overall height
- B. 28⁷/₁₆" (72.2 cm) maximum recessed width
- C. 26" (65.9 cm) recessed height
- D. 23¹/₄" (59.1 cm) maximum recessed depth
- E. 29³/₄" (75.6 cm) overall width
- F. 12" (30.5 cm) from back of control panel to start of strain relief
- G. 48" (121.9 cm) flexible conduit length

Single Ovens Installed in Cabinet



30" (76.2 cm) models

- A. 30" (76.2 cm) minimum cabinet width
- B. $2\frac{3}{16}$ " (5.5 cm) top of cutout to bottom of upper cabinet door
- C. 32" (81.3 cm) bottom of cutout to floor
- D. $28\frac{1}{2}$ " (72.4 cm) minimum cutout width
- E. $1\frac{1}{2}$ " (3.8 cm) minimum bottom of cutout to top of cabinet door
- F. 28" (71.2 cm)* recommended cutout height
- G. 24" (60.7 cm) cutout depth

*NOTE: The cutout height can be between $27\frac{1}{4}$ " and $29\frac{7}{16}$ " (69.2 cm and 74.8 cm) for single ovens.

*NOTE: Contact service to get tall shield for cutouts greater than $28\frac{11}{16}$ " (72.9 cm).

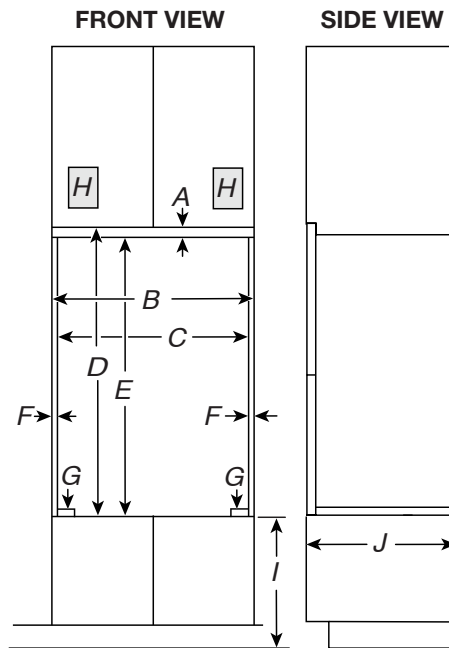
Cabinet Dimensions - Single Ovens, Flush Installations

NOTE: This is an alternate option to install your product in the cabinet and obtain a flush look. For standard installation, refer section "Product Dimensions - Single Ovens, Standard Installation."

NOTE: For flush installations add the deflector assembly. See "Install Deflector Assembly" section of the owner's manual for further instruction.

A 25" (63.5 cm) minimum cutout depth is required. Top and bottom gaps will be $\frac{1}{8}$ " (0.3 cm) gap above and below the product. Top and bottom gaps not required for installation. Exposed areas of the cabinet should be finished to match.

Single Ovens Installed in Cabinet

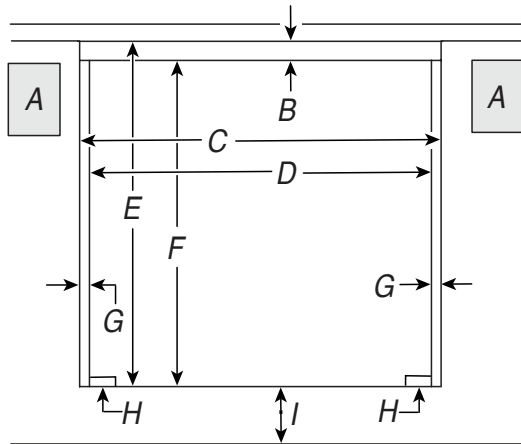


30" (76.2 cm) models

- A. $\frac{3}{4}$ " (1.9 cm) top cleat*
- B. $30\frac{1}{4}$ " (76.8 cm) minimum width of flush inset cutout
- C. $28\frac{7}{8}$ " (73.3 cm) minimum width of opening
- D. $30\frac{1}{16}$ " (77.3 cm) minimum height of flush inset cutout
- E. $29\frac{11}{16}$ " (75.4 cm) recommended cutout height
- F. $1\frac{1}{16}$ " (1.7 cm) side cleat*
- G. $\frac{1}{4}$ " (0.6 cm) recommended with foot. $15\frac{1}{16}$ " to $1\frac{1}{8}$ " (2.2 cm to 2.9 cm) allowable without foot.
- H. Recommended junction box location
- I. $7\frac{1}{2}$ "- $14\frac{3}{4}$ " (19 cm-37.5 cm) bottom of cutout to floor
- J. 25" (63.5 cm) minimum depth of cutout

*Cleats and spacers must be recessed $1\frac{1}{8}$ " (3.5 cm) from the front of the cabinet.

Single Ovens Undercounter - without cooktop installed above



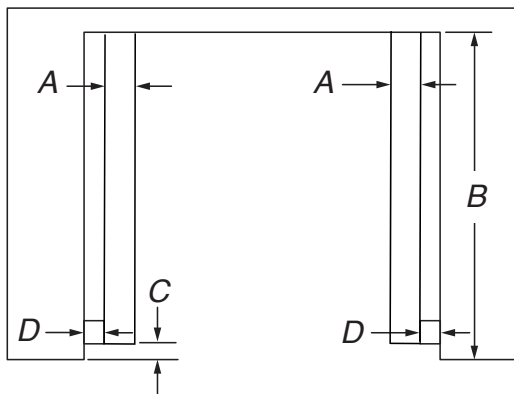
FRONT VIEW

30" (76.2 cm) models

- A. Recommended junction box location
- B. 3/4" (1.9 cm) top cleat*
- C. 30 1/4" (76.8 cm) minimum width of flush inset cutout
- D. 28 7/8" (73.3 cm) minimum width of opening
- E. 29 1/4" (74.3 cm) minimum height of flush inset cutout
- F. 28 1/2" (72.4 cm) recommended cutout height
- G. 11/16" (1.7 cm) side cleat*
- H. 1/4" (0.6 cm) spacer the entire depth of the cabinet*
- I. 4 5/8" (11.7 cm) bottom of cutout to floor

*Cleats and spacers must be recessed 1 3/8" (3.5 cm) from the front of the cabinet.

NOTE: For undercounter installations add the deflector assembly. See "Install Deflector Assembly" section of the owner's manual for further instruction.



TOP VIEW

30" (76.2 cm) models

- A. 2" (5.1 cm) spacer the entire depth of the cutout*
- B. 25" (63.5 cm) depth of cutout
- C. 1 3/8" (3.5 cm) recess from front of cabinet
- D. 11/16" (1.7 cm) side cleat*

*Cleats and spacers must be recessed 1 3/8" (3.5 cm) from the front of the cabinet.

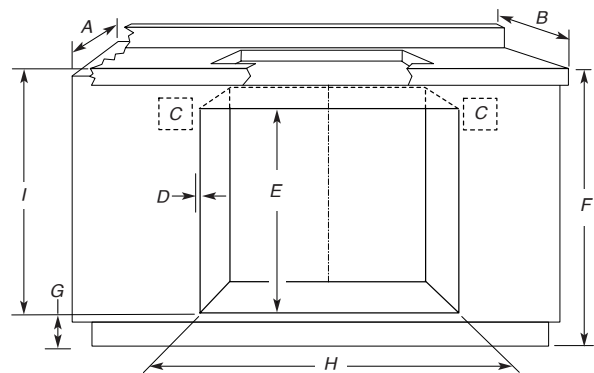
Cutout Dimensions For Ovens Installed Under Cooktop

IMPORTANT: Observe all governing codes and ordinances. Cooktop must be approved for use over an oven. See cooktop Installation Instructions for cutout dimensions. Center the cooktop cutout over oven cutout.

Ovens approved for this type of installation have an approval label located on the top of the oven.

To avoid damage to your cabinets, check with your builder or cabinet supplier to make sure that the materials used will not discolor, delaminate or sustain other damage. This oven has been designed in accordance with UL and CSA International and complies with the maximum allowable wood cabinet temperatures of 194°F (90°C).

Approved Built-In Oven and Electric Coil/Radiant/Induction Cooktop Combinations or without Cooktop Installed above Oven



- A. 24" (61 cm) cabinet depth
- B. 25" (63.5 cm) countertop depth
- C. Recommended oven and cooktop junction box locations
- D. Allow 5/8" (1.6 cm) for oven trim to overlap on each side
- E. 27 3/4" (70.5 cm) minimum cutout height
- F. 36" (91.4 cm) from cabinet base to countertop
- G. 4 1/2" (11.4 cm) maximum from cabinet base with feet installed. If dimension "F" is greater than 36" (91.4 cm), dimension "G" can be increased the same difference for induction combinations.
- H. 28 1/2" (72.4 cm) minimum oven Cutout Dimension
- I. 31 3/8" (82.2 cm) from top of countertop to bottom of cutout

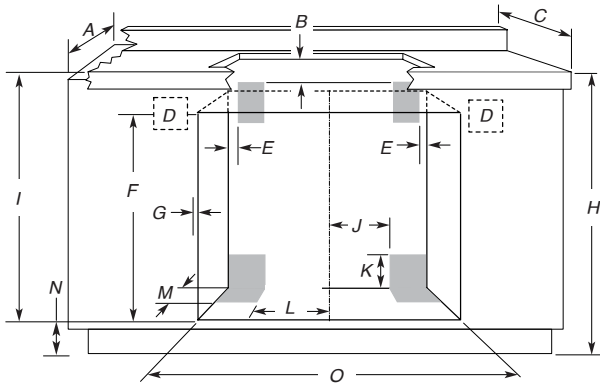
For the approved model number combinations, refer to the undercounter label located on top of the oven chassis and on the bottom of the cooktop burner box.

NOTE: For undercounter installations add the deflector assembly. See "Install Deflector Assembly" section of the owner's manual for further instruction.

NOTE: For undercounter installation, it is recommended that the junction boxes for oven and cooktop be located in the adjacent right or left cabinet and a deflector assembly must be installed. A 1" (2.5 cm) minimum diameter hole should have been drilled in the upper rear right or left corner of the side wall surface to pass the appliance cable through to the junction box.

Approved Built-In Oven and Gas Cooktop Combinations

Electrical Requirements



- A. 24" (61 cm) cabinet depth
- B. 1" (2.5 cm) clearance to bottom of countertop
- C. 25" (63.5 cm) countertop depth
- D. Recommended oven junction box locations
- E. 1" (2.5 cm) clearance to cabinet
- F. 27³/₄" (70.5 cm) minimum cutout height
- G. Allow 5/8" (1.6 cm) for oven trim to overlap on each side
- H. 36" (91.4 cm) from cabinet base to countertop
- I. 31³/₈" (79.7 cm) from top of countertop to bottom of cutout
- J. Gas line through wall 10¹/₂" (26.7 cm) to center of cutout
- K. 3/4" (8.3 cm)
- L. Gas line through floor 10¹/₂" (26.7 cm) to center of cutout
- M. 3/2" (8.9 cm)
- N. 4¹/₂" (11.4 cm) maximum from cabinet base with feet installed
- O. 28¹/₂" (72.4 cm) minimum Oven Cutout Dimension

For the approved model number combinations, refer to the undercounter label located on top of the oven chassis.

NOTE: For undercounter installations add the deflector assembly. See "Install Deflector Assembly" section of the owner's manual for further instruction.

NOTE: For undercounter installation, it is recommended that the junction box for oven be located in the adjacent right or left cabinet and a deflector assembly must be installed. A 1" (2.5 cm) minimum diameter hole should have been drilled in the upper rear right or left corner of the side wall surface to pass the appliance cable through to the junction box.

The upper shaded areas are recommended locations for recessed junction box for 120 V grounded outlet for cooktop.

Lower shaded areas are recommended locations for flexible or rigid gas pipe installation. The gas connection on the cooktop is on the right (same location as "J" in the above diagram). The gas pipe can be installed on either side of the cutout, and either through the floor or through the wall. Refer to local codes regarding the use of gas lines.

⚠ WARNING

Electrical Shock Hazard

Disconnect power before servicing.

Electrically ground appliance.

Failure to do so can result in death, fire, or electrical shock.

If codes permit and a separate ground wire is used, it is recommended that a qualified electrical installer determine that the ground path and the wire gauge are in accordance with local codes.

Check with a qualified electrical installer if you are not sure the oven is properly grounded.

This oven must be connected to a grounded metal, permanent wiring system.

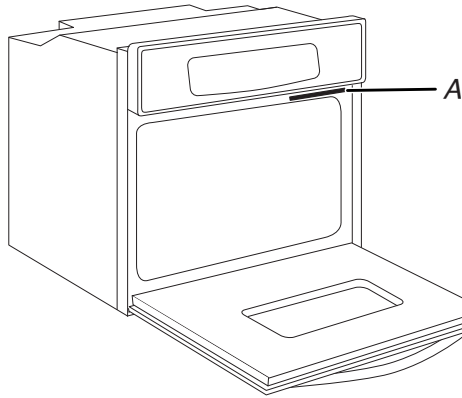
Be sure that the electrical connection and wire size are adequate and in conformance with the National Electrical Code, ANSI/NFPA 70-latest edition or CSA Standards C22.1-94, Canadian Electrical Code, Part 1 and C22.2 No. O-M91-latest edition, and all local codes and ordinances.

A copy of the above code standards can be obtained from:
 National Fire Protection Association
 1 Batterymarch Park
 Quincy, MA 02169-7471
 CSA International
 8501 East Pleasant Valley Road
 Cleveland, OH 44131-5575

Electrical Connection

To properly install your oven, you must determine the type of electrical connection you will be using and follow the instructions provided for it here.

- Oven must be connected to the proper electrical voltage and frequency as specified on the model/serial/rating plate. The model/serial/rating plate is located under the control panel on single ovens and under the control panel on the upper oven cavity on double ovens. See the following illustration.



Single oven

A. Model/serial/rating plate

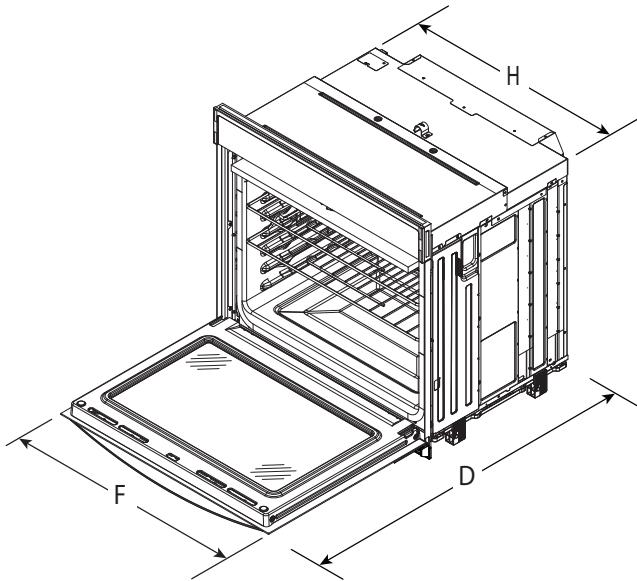
- Models rated from 7.3 to 9.6 kW at 240 V (5.4 to 7.4 kW at 208 V) require a separate 40 A circuit. Models rated at 4.8 kW and below at 240 V (3.6 kW and below at 208 V) require a separate 20 A circuit.

- A circuit breaker is recommended.
- Connect directly to the fused disconnect (or circuit breaker box) through flexible, armored or nonmetallic sheathed, copper cable (with grounding wire). See the "Make Electrical Connection" section in the Owner's Manual.
- Flexible conduit from the oven should be connected directly to the junction box.
- Fuse both sides of the line.
- Do not cut the conduit. The length of conduit provided is for serviceability of the oven.
- A UL listed or CSA-approved conduit connector must be provided.
- If the house has aluminum wiring, follow the procedure below:
Connect the aluminum wiring using special connectors and/or tools designed and UL listed for joining copper to aluminum. Follow the electrical connector manufacturer's recommended procedure. Aluminum/copper connection must conform with local codes and industry-accepted wiring practices.

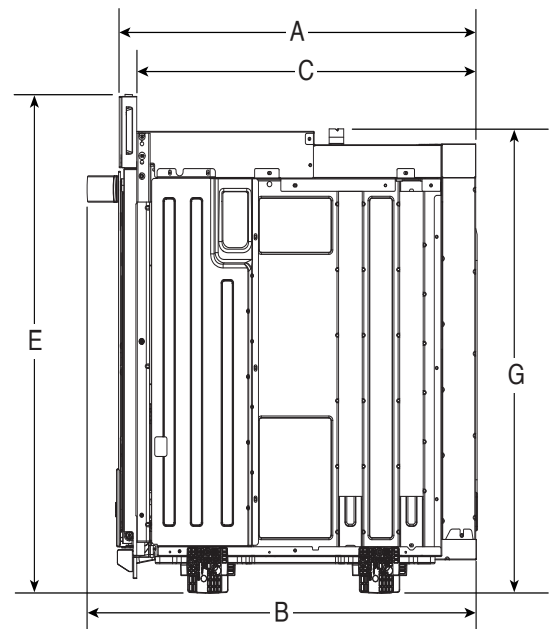
FOUR ENCASTRÉ SIMPLE ÉLECTRIQUE JENNAIR®

PRODUIT : JOESC330RL; JOESC330RM; JOESC530RL; JOESC530RM; JOESC730RL;
JOESC730RM

APPAREIL :		FOUR ENCASTRÉ SIMPLE ÉLECTRIQUE DE 30 PO			
		JOESC330RL00; JOESC530RL00; JOESC730RL00		JOESC330RM00; JOESC530RM00; JOESC730RM00	
	Unités	po	cm	po	cm
A	Profondeur, fermé sans poignée (en affleurement)	24 ⁷ / ₁₆	61,9	24 ⁷ / ₁₆	62
B	Profondeur, fermée avec poignée	27 ⁵ / ₁₆	69,3	26 ¹ / ₂	67,2
C	Profondeur jusqu'à l'arrière de la console (installation standard)	23 ¹ / ₁₆	58,6	23 ¹ / ₁₆	58,6
D	Profondeur avec porte ouverte 90°	46 ³ / ₁₆	117,3	46 ³ / ₁₆	117,3
E	Hauteur maximum (incluant la console)	31 ¹ / ₁₆	78,9	31	78,8
E	Hauteur minimum (incluant la console)	29 ⁵ / ₁₆	74,4	29 ¹ / ₄	74,3
F	Largeur de l'avant	29 ³ / ₄	75,6	29 ³ / ₄	75,8
G	Hauteur maximum (sans la console)	27 ³ / ₄	70,4	27 ³ / ₄	70,4
G	Hauteur minimum (sans la console)	26	65,9	26	65,9
H	Largeur d'encastrement	28 ³ / ₈	71,9	28 ³ / ₈	71,9



VUE EN ANGLE



VUE LATÉRALE

IMPORTANT : Les spécifications dimensionnelles sont fournies uniquement à des fins de planification.

N'aménager aucune ouverture sur la base de cette information. Se référer au manuel de l'utilisateur avant de choisir une armoire, de vérifier les connexions électriques/au gaz, d'effectuer des découpes ou de commencer l'installation.

Exigences d'emplacement

IMPORTANT : Observer les dispositions de tous les codes et règlements en vigueur.

- Les dimensions d'ouverture de l'armoire indiquées doivent être utilisées. Ces dimensions tiennent compte des dégagements de séparation nécessaires pour le four.
- L'espace d'installation dans un encastrement doit permettre la formation d'une enceinte complète autour de la partie encastrée du four.
- Une source d'électricité avec liaison à la terre est nécessaire. Voir la section « Spécifications Électriques ».
- Le boîtier de raccordement doit être situé à moins de 3 po (7,6 cm) au-dessus de la surface de support lorsque le four est installé dans une armoire. Un trou d'un diamètre de 1 po (2,5 cm) ou plus doit avoir été percé dans l'angle arrière gauche ou droit de la surface de support pour le passage du câble d'alimentation de l'appareil jusqu'au boîtier de connexion.

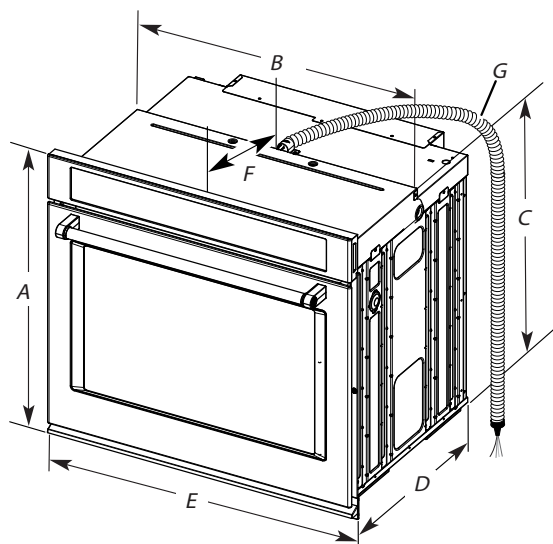
REMARQUE : Pour l'installation sous un comptoir, on recommande que le boîtier de connexion soit situé dans l'armoire adjacente, à droite ou à gauche. Si le boîtier de connexion est installé sur le mur derrière le four, nous recommandons qu'il soit encastré et situé dans la partie supérieure centrale de l'armoire.

- La surface de support du four doit être robuste, horizontale et en affleurement avec le bas de l'ouverture découpée dans l'armoire.
- Pour un modèle simple de 30 po (76,2 cm), le plancher doit pouvoir supporter un poids de 215 lb (97,5 kg).

IMPORTANT : Pour éviter d'endommager vos armoires, vérifier avec le fabricant ou le fournisseur d'armoires pour s'assurer que les matériaux utilisés ne décoloreront et ne délamineront pas ou ne subiront pas d'autres dommages. Ce four a été conçu conformément aux exigences des normes UL et CSA International et respecte les températures maximales permises de 194 °F (90 °C) pour les armoires en bois.

- Sur les modèles de four simple et double installé au-dessus d'un tiroir-réchaud ou pour les fours installés en affleurement avec une armoire, un assemblage de déflecteurs pour tiroir-réchaud doit être installé. Voir la section « Installation de l'assemblage du déflecteur » du manuel de l'utilisateur pour obtenir plus d'informations.

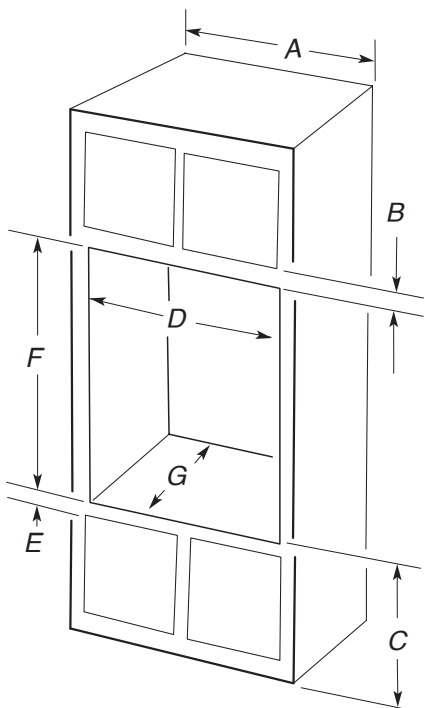
Dimensions de l'armoire – Installation standard d'un four double



Modèles de 30 po (76,2 cm)

- A. Hauteur totale maximum : 29 ³/₄ po (75,6 cm)
- B. Largeur maximum de l'encastrement : 28 ⁷/₁₆ po (72,2 cm)
- C. Hauteur de l'encastrement : 26 po (65,9 cm)
- D. Profondeur maximum de l'encastrement : 23 ¹/₄ po (59,1 cm)
- E. Largeur totale : 29 ³/₄ po (75,6 cm)
- F. De l'arrière du tableau de commande jusqu'à l'extrémité avant du serre-câbles : 12 po (30,5 cm)
- G. Longueur du conduit flexible : 48 po (121,9 cm)

Fours simples installés dans une armoire



Modèles de 30 po (76,2 cm)

- A. Largeur minimum de l'armoire : 30 po (76,2 cm)
- B. Du sommet de la découpe au bas de la porte de l'armoire supérieure : $2 \frac{3}{16}$ po (5,5 cm)
- C. Du fond de la découpe au plancher : 32 po (81,3 cm)
- D. $28 \frac{1}{2}$ po (72,4 cm) de largeur minimum pour l'ouverture découpée
- E. Du fond de l'ouverture au dessus de la porte de l'armoire : $1 \frac{1}{2}$ po (3,8 cm) min.
- F. Hauteur recommandée de la découpe : 28 po (71,2 cm)*
- G. Profondeur de découpe : 24 po (60,7 cm)

***REMARQUE :** Pour les fours simples, la hauteur de la découpe peut être comprise entre $27 \frac{1}{4}$ po et $29 \frac{7}{16}$ po (69,2 cm et 74,8 cm).

***REMARQUE :** Communiquer avec le service pour obtenir un grand écran pour une ouverture supérieure à $28 \frac{11}{16}$ po (72,9 cm) pour améliorer l'installation

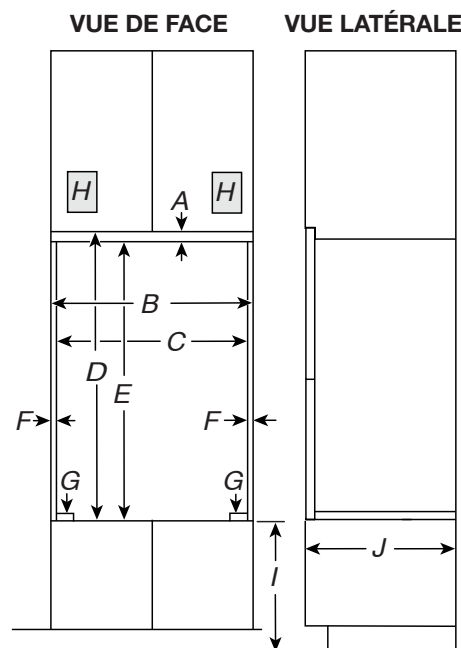
Dimensions de l'armoire – Fours simples, installations en affleurement

REMARQUE : Il s'agit d'un choix alternatif pour installer votre produit dans une armoire et obtenir un style en affleurement. Pour une installation standard, consulter la section « Dimensions du produit – Four simple, installation standard. »

REMARQUE : Pour les installations encastrées, ajouter le déflecteur. Voir la section « Installation de l'assemblage du déflecteur » du manuel de l'utilisateur pour obtenir plus d'informations.

Une découpe de 25 po (63,5 cm) minimum est requise. Les écarts supérieur et inférieur seront de $\frac{1}{8}$ po (0,3 cm) au-dessus et en dessous du produit. Les écarts supérieurs et inférieurs ne sont pas nécessaires pour l'installation. Les zones exposées de la caisse doivent être revêtues d'un fini pour correspondre.

Fours simples installés dans une armoire

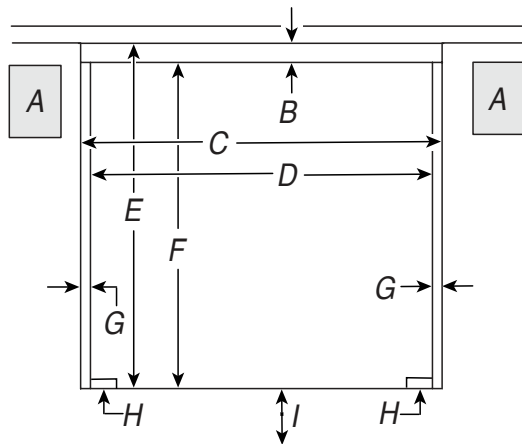


Modèles de 30 po (76,2 cm)

- A. Tasseau supérieur de $\frac{3}{4}$ po (1,9 cm)*
- B. Largeur minimale de l'ouverture intégrée en affleurement : $30 \frac{1}{4}$ po (76,8 cm)
- C. Largeur minimum de l'ouverture : $28 \frac{7}{8}$ po (73,3 cm)
- D. Hauteur minimale de l'ouverture intégrée en affleurement : $30 \frac{7}{16}$ po (77,3 cm)
- E. Hauteur recommandée de la découpe : $29 \frac{11}{16}$ po (75,4 cm)
- F. Tasseau latéral de $\frac{11}{16}$ po (1,7 cm)*
- G. Recommandé avec pied : $\frac{1}{4}$ po (0,6 cm). Dimension autorisée de $\frac{15}{16}$ po à $1 \frac{1}{8}$ po (2,2 cm à 2,9 cm) sans pieds.
- H. Emplacement recommandé pour la boîte de jonction
- I. $7 \frac{1}{2}$ po à $14 \frac{3}{4}$ po (19 cm à 37,5 cm) du fond de la découpe au plancher
- J. Profondeur minimum de la découpe : 25 po (63,5 cm)

*Les tasseaux et les cales d'espacement doivent être encastrés à $1 \frac{3}{8}$ po (3,5 cm) depuis l'avant de l'armoire.

Four simple sous le plan de travail – sans table de cuisson au-dessus



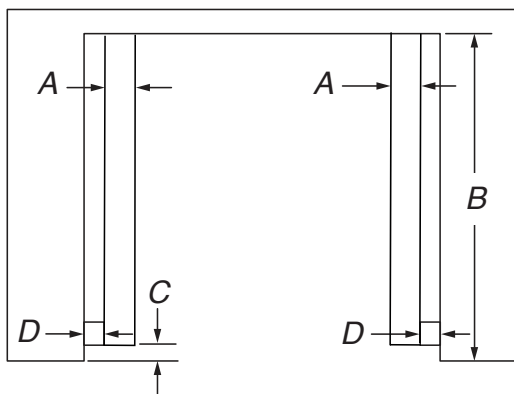
VUE DE FACE

Modèles de 30 po (76,2 cm)

- A. Emplacement recommandé pour la boîte de jonction
- B. Tasseau supérieur de 3/4 po (1,9 cm)*
- C. Largeur minimale de l'ouverture intégrée en affleurement : 30 1/4 po (76,8 cm)
- D. Largeur minimum de l'ouverture : 28 7/8 po (73,3 cm)
- E. Hauteur minimale de l'ouverture intégrée en affleurement : 29 1/4 po (74,3 cm)
- F. Hauteur recommandée de la découpe : 28 1/2 po (72,4 cm)
- G. Tasseau latéral de 11/16 po (1,7 cm)*
- H. Cale d'espacement de 1/4 po (0,6 cm) sur la profondeur totale de l'armoire*
- I. Du fond de la découpe au plancher : 4 5/8 po (11,7 cm)

*Les tasseaux et les cales d'espacement doivent être encastrés à 1 3/8 po (3,5 cm) depuis l'avant de l'armoire.

REMARQUE : Pour les installations sous un comptoir, ajouter le déflecteur. Voir la section « Installation de l'assemblage du déflecteur » du manuel de l'utilisateur pour obtenir plus d'informations.



VUE DU DESSUS

Modèles de 30 po (76,2 cm)

- A. Cale d'espacement de 2 po (5,1 cm) sur la profondeur totale de l'ouverture*
- B. Profondeur de la découpe : 25 po (63,5 cm)
- C. Encastrement à partir de l'avant de l'armoire : 1 3/8 po (3,5 cm)
- D. Tasseau latéral de 11/16 po (1,7 cm)*

*Les tasseaux et les cales d'espacement doivent être encastrés à 1 3/8 po (3,5 cm) depuis l'avant de l'armoire.

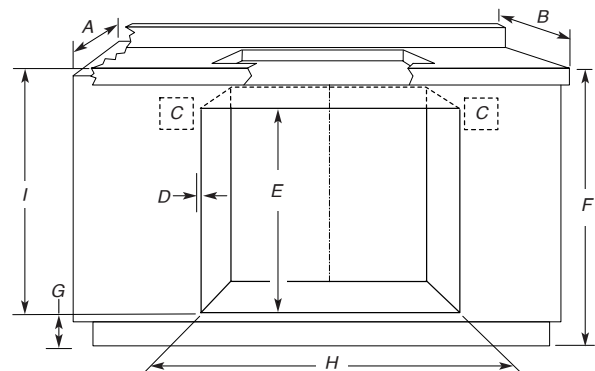
Four installé sous la table de cuisson – Dimensions pour l'ouverture à découper

IMPORTANT : Observer les dispositions de tous les codes et règlements en vigueur. La table de cuisson doit être homologuée pour une utilisation au-dessus d'un four. Pour les dimensions de l'ouverture à découper, voir les instructions d'installation de la table de cuisson. Centrer l'ouverture à découper pour la table de cuisson par rapport à l'ouverture découpée pour le four.

Les fours homologués pour ce type d'installation comportent une étiquette d'homologation placée sur le dessus du four.

Pour éviter d'endommager vos armoires, vérifiez avec le fabricant ou le fournisseur d'armoires pour s'assurer que les matériaux utilisés ne décoloreront et ne délamineront pas ou ne subiront pas d'autres dommages. Ce four a été conçu conformément aux exigences des normes UL et CSA International et respecte les températures maximales permises de 194 °F (90 °C) pour les armoires en bois.

Four encastré homologué et four électrique à serpentin/élément radiant/induction ou sans table de cuisson installée au-dessus du four



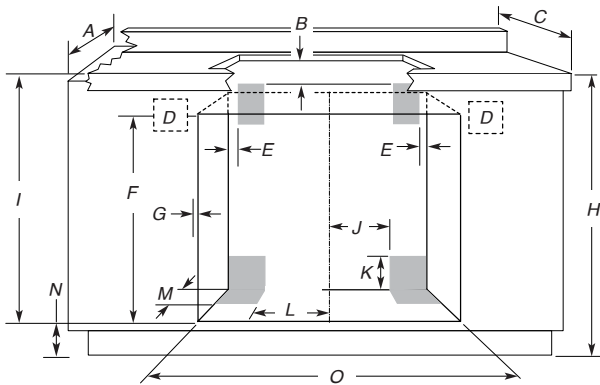
- A. Profondeur de l'armoire 24 po (61 cm)
- B. Profondeur du comptoir 25 po (63,5 cm)
- C. Emplacements recommandés pour le boîtier de connexion du four et de la table de cuisson
- D. Prévoir 5/8 po (1,6 cm) de chaque côté pour le chevauchement de la finition du four
- E. Hauteur minimum de la découpe : 27 3/4 po (70,5 cm)
- F. 36 po (91,4 cm) entre la base de l'armoire et le comptoir
- G. 4 1/2 po (11,4 cm) maximum entre la base de l'armoire lorsque les pieds sont installés Si la dimension « F » est supérieure à 36 po (91,4 cm), la dimension « G » peut être augmentée de la même différence pour des combinaisons d'appareils à induction.
- H. 28 1/2 po (72,4 cm) minimum pour l'ouverture de découpe du four
- I. 31 3/8 po (82,2 cm) entre le sommet du comptoir et le fond de la cavité d'encastrement

Pour connaître les combinaisons approuvées par numéro de modèle, consulter l'étiquette sous comptoir située sur la partie supérieure du châssis du four et au fond de la boîte de brûleur de la table de cuisson.

REMARQUE : Pour les installations sous un comptoir, ajouter le déflecteur. Voir la section « Installation de l'assemblage du déflecteur » du manuel de l'utilisateur pour obtenir plus d'informations.

REMARQUE : Pour l'installation sous un comptoir, on recommande que le boîtier de raccordement du four et de la table de cuisson soit situé dans l'armoire adjacente, à droite ou à gauche. De plus, un ensemble de déflecteurs pour tiroir doit être installé. Un trou d'un diamètre minimal de 1 po (2,5 cm) doit avoir été percé dans l'angle arrière gauche de la surface du mur latéral pour le passage du câble d'alimentation de l'appareil jusqu'au boîtier de connexion.

Combinaisons four encastré/table de cuisson à gaz (produits homologués)



- A. Profondeur de l'armoire 24 po (61 cm)
- B. Dégagement de 1 po (2,5 cm) jusqu'au bas du comptoir
- C. Profondeur du comptoir 25 po (63,5 cm)
- D. Emplacements recommandés pour le boîtier de connexion du four et de la table de cuisson
- E. Dégagement de 1 po (2,5 cm) jusqu'à l'armoire
- F. Hauteur minimum de la découpe : 27 ³/₄ po (70,5 cm)
- G. Prévoir 5/8 po (1,6 cm) de chaque côté pour le chevauchement de la finition du four
- H. 36 po (91,4 cm) entre la base de l'armoire et le comptoir
- I. 31 ³/₈ po (79,7 cm) entre le sommet du comptoir et le fond de la cavité d'encastrement
- J. Canalisation de gaz à travers le mur : 10 ¹/₂ po (26,7 cm) jusqu'au centre de l'ouverture.
- K. 3 ¹/₄ po (8,3 cm)
- L. Canalisation de gaz à travers le plancher : 10 ¹/₂ po (26,7 cm) jusqu'au centre de l'ouverture.
- M. 3 ¹/₂ po (8,9 cm)
- N. 4 ¹/₂ po (11,4 cm) maximum entre la base de l'armoire lorsque les pieds sont installés
- O. 28 ¹/₂ po (72,4 cm) minimum pour l'ouverture de découpe du four

Pour connaître les combinaisons des produits homologués par numéro de modèle, consulter l'étiquette sous comptoir située sur la partie supérieure du châssis du four.

REMARQUE : Pour les installations sous un comptoir, ajouter le déflecteur. Voir la section « Installation de l'assemblage du déflecteur » du manuel de l'utilisateur pour obtenir plus d'informations.

REMARQUE : Pour l'installation sous un comptoir, on recommande que le boîtier de raccordement du four soit situé dans l'armoire adjacente, à droite ou à gauche. De plus, un ensemble de déflecteurs pour tiroir doit être installé. Un trou d'un diamètre minimal de 1 po (2,5 cm) doit avoir été percé dans l'angle arrière gauche de la surface du mur latéral pour le passage du câble d'alimentation de l'appareil jusqu'au boîtier de connexion.

On recommande d'utiliser les zones grisées supérieures pour la prise de 120 V reliée à la terre du boîtier de connexion encastré de la table de cuisson.

On recommande l'installation de la canalisation de gaz flexible ou rigide dans les zones ombrées inférieures. Le point de raccordement au gaz de la table de cuisson se trouve sur la droite (même emplacement que le point « J » dans le schéma ci-dessus). La canalisation de gaz peut être installée d'un côté ou de l'autre de l'ouverture découpée, à travers le plancher ou à travers le mur. Consulter les codes locaux concernant l'utilisation des canalisations de gaz.

Spécifications électriques

⚠ AVERTISSEMENT



Risque de Décharge Électrique

Déconnecter la source de courant électrique avant l'entretien.

Appareil relié à la terre.

Le non-respect de ces instructions peut causer un décès, un incendie ou une décharge électrique.

Si on utilise un conducteur distinct de liaison à la terre et lorsque les codes le permettent, il est recommandé qu'un électricien qualifié vérifie que la liaison à la terre et le calibre des fils sont conformes aux codes locaux.

En cas de doute quant à la qualité de la liaison à la terre du four, consulter un électricien qualifié.

Ce four doit être raccordé à un système permanent, métallique de câblage relié à la terre.

S'assurer que la connexion électrique et le calibre des fils sont appropriés et conformes au National Electrical Code, aux normes ANSI/NFPA 70 – dernière édition, ou aux normes CSA C22.1-94, au Code canadien de l'électricité, Partie 1 et C22.2 No O-M91 – dernière édition, et à tous les codes et règlements locaux.

Pour obtenir un exemplaire des normes des codes ci-dessus, contacter :

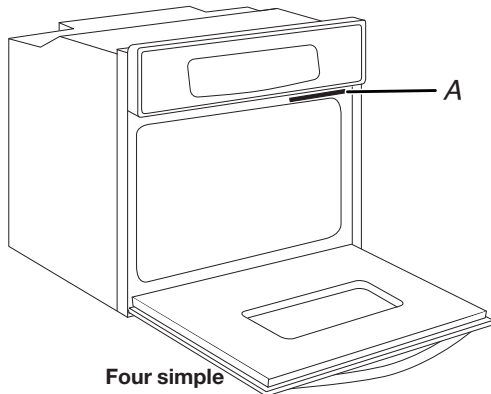
National Fire Protection Association
1 Batterymarch Park
Quincy, MA 02169-7471

CSA International
8501 East Pleasant Valley Road
Cleveland, OH 44131-5575

Raccordement électrique

Pour installer le four de façon appropriée, il faut établir le type de raccords électriques qui sera utilisé et suivre les instructions de ce document.

- Le four doit être alimenté par une source d'électricité et une tension appropriées, comme spécifié sur la plaque signalétique. La plaque signalétique du numéro de modèle et de série est située sous le panneau de configuration sur les fours simples et sous le panneau de configuration sur la cavité supérieure du four sur les fours doubles. Voir l'illustration suivante.



Four simple

A. Plaque signalétique du numéro de modèle et de série

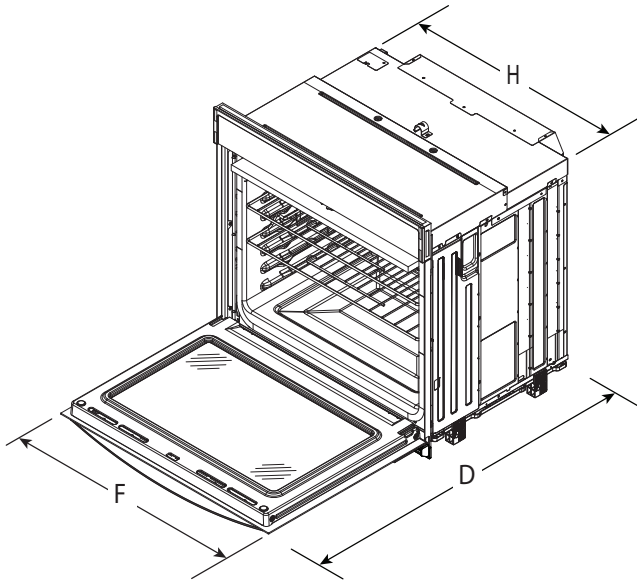
- Les modèles à 240 V de 7,3 à 9,6 kW (208 V de 5,4 à 7,4 kW) doivent être alimentés par un circuit indépendant de 40 A. Les modèles à 240 V de 4,8 kW ou moins (208 V de 3,6 kW ou moins) doivent être alimentés par un circuit indépendant de 20 A.

- L'emploi d'un disjoncteur est recommandé.
- Raccorder l'appareil directement au tableau de distribution par un câble à conducteur de cuivre et gaine métallique flexible ou gaine non métallique (avec conducteur de liaison à la terre). Consulter la section « Raccordement électrique » du manuel de l'utilisateur.
- Le câble flexible du four doit être connecté directement dans le boîtier de connexion.
- Installer un fusible aux deux extrémités de la ligne.
- Ne pas couper le conduit. La longueur du conduit fournie est destinée à faciliter l'entretien du four.
- L'installateur doit fournir un connecteur de conduit (homologation UL ou CSA).
- Si le domicile possède un câblage en aluminium, suivre la procédure ci-dessous :
Connecter le câblage en aluminium en utilisant des capuchons ou des outils spécialement conçus et homologués UL pour raccorder le cuivre à l'aluminium. Suivre la procédure recommandée par le fabricant de connecteurs électriques. Les raccords aluminium/cuivre doivent satisfaire aux prescriptions des codes locaux et de l'industrie, et être conformes aux pratiques de câblage reconnues.

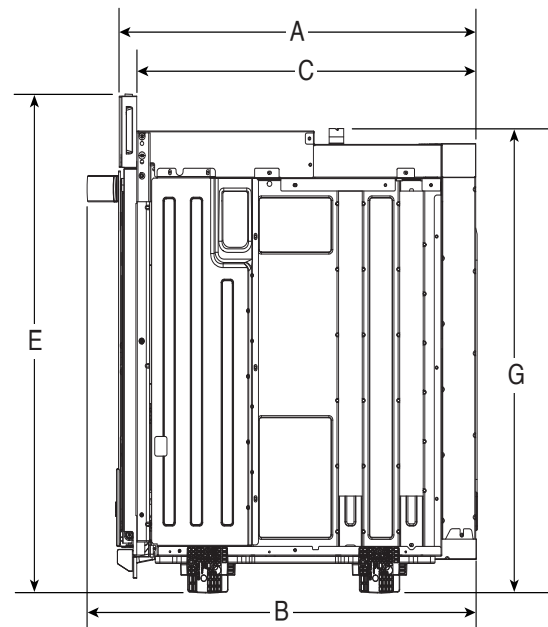
HORNO DE PARED SIMPLE ELÉCTRICO JENNAIR®

PRODUCTO: JOESC330RL; JOESC330RM; JOESC530RL; JOESC530RM; JOESC730RL; JOESC730RM

ELECTRODOMÉSTICO:		HORNO DE PARED SIMPLE ELÉCTRICO DE 30"			
		JOESC330RL00; JOESC530RL00; JOESC730RL00		JOESC330RM00; JOESC530RM00; JOESC730RM00	
	Unidades	pulg.	cm	pulg.	cm
A	Profundidad del producto cerrado sin las manijas (instalación enrasada)	24 ⁷ / ₁₆	61,9	24 ⁷ / ₁₆	62
B	Profundidad del producto cerrado con las manijas	27 ⁵ / ₁₆	69,3	26 ¹ / ₂	67,2
C	Profundidad hasta parte posterior de la consola (instalación estándar)	23 ¹ / ₁₆	58,6	23 ¹ / ₁₆	58,6
D	Profundidad con puerta abierta 90°	46 ³ / ₁₆	117,3	46 ³ / ₁₆	117,3
E	Altura máxima (incluida la consola)	31 ¹ / ₁₆	78,9	31	78,8
E	Altura mínima (incluida la consola)	29 ⁵ / ₁₆	74,4	29 ¹ / ₄	74,3
F	Ancho de frente	29 ³ / ₄	75,6	29 ³ / ₄	75,8
G	Altura máxima (sin incluir la consola)	27 ³ / ₄	70,4	27 ³ / ₄	70,4
G	Altura mínima (sin incluir la consola)	26	65,9	26	65,9
H	Ancho empotrado	28 ³ / ₈	71,9	28 ³ / ₈	71,9



VISTA EN ÁNGULO



VISTA LATERAL

IMPORTANTE: Las especificaciones de medidas son solo para fines de planificación.

No realice ningún corte basado en esta información. Consulte el Manual del propietario antes de la selección de gabinetes, verificar las conexiones eléctricas/de gas, realizar cortes o iniciar la instalación.

Requisitos de ubicación

IMPORTANTE: Respete todas las normativas y reglamentos vigentes.

- Deben usarse las dimensiones de la abertura del gabinete que se muestran. Las dimensiones dadas proveen un espacio mínimo, incluyendo el horno.
- El área de instalación empotrada debe estar completamente cerrada alrededor de la parte empotrada del horno.
- Se requiere un suministro eléctrico con conexión a tierra. Consulte la sección "Requisitos eléctricos".
- La caja de empalmes del suministro eléctrico debe estar como máximo a 3" (7,6 cm) por encima de la superficie de soporte cuando el horno se instale en un gabinete de pared. Se debe perforar un orificio de 1" (2,5 cm) de diámetro como mínimo en la esquina trasera derecha o izquierda de la superficie de soporte para pasar el cable del electrodoméstico a través de la caja de empalmes.

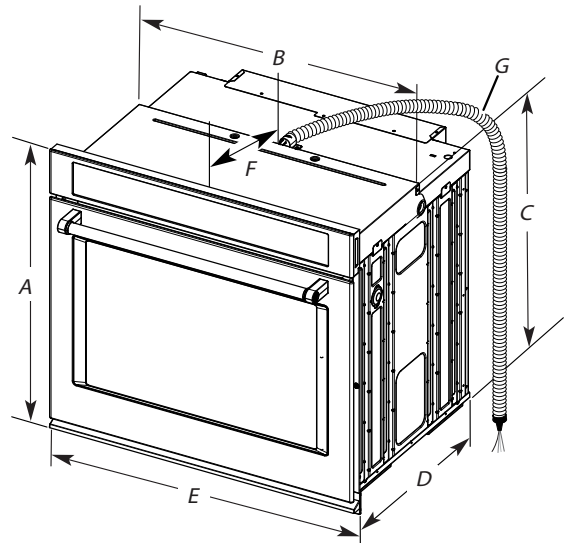
NOTA: Para la instalación debajo del mostrador, se recomienda que la caja de empalmes se ubique en el gabinete adyacente de la derecha o izquierda. Si se instala la caja de empalmes sobre la pared trasera detrás del horno, se recomienda que la caja quede empotrada y en el centro de la parte superior del gabinete.

- La superficie de apoyo del horno debe ser maciza, estar nivelada y alineada con la parte inferior del recorte del gabinete.
- El piso debe poder soportar un peso de horno simple de 215 lb (97,5 kg) para los modelos de 30" (76,2 cm).

IMPORTANTE: Para evitar daños a los gabinetes, consulte al constructor o al distribuidor de los gabinetes para asegurarse de que los materiales empleados no cambien de color, no se desprenda el laminado ni sufran ningún otro tipo de daño. Este horno fue diseñado de acuerdo con los requisitos de UL y CSA International y cumple con las temperaturas máximas permitidas para gabinetes de madera de 194 °F (90 °C).

- En los modelos de horno simple y doble instalados encima de un cajón de calentamiento o para hornos instalados con gabinetes de instalación empotrada, debe instalarse un conjunto de deflector. Consulte la sección "Instalación del conjunto de deflector" del Manual del propietario para obtener más instrucciones.

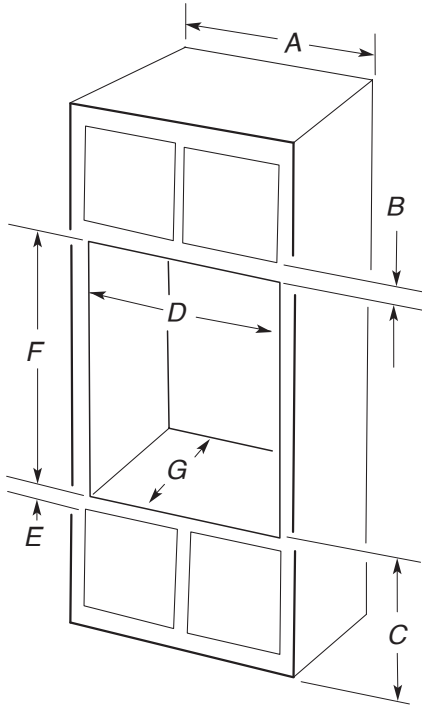
Dimensiones del producto - Hornos simples, instalación estándar



Modelos de 30" (76,2 cm)

- A. 29³/₄" (75,6 cm) de altura máxima total
- B. 28⁷/₁₆" (72,2 cm) de ancho empotrado máximo
- C. 26" (65,9 cm) de altura empotrada
- D. 23¹/₄" (59,1 cm) de profundidad empotrada máxima
- E. 29³/₄" (75,6 cm) de ancho total
- F. 12" (30,5 cm) de la parte trasera del panel de control al inicio del protector de cables
- G. Longitud del conducto flexible 48" (121,9 cm)

Hornos simples instalados en gabinete



Modelos de 30" (76,2 cm)

- A. 30" (76,2 cm) ancho mínimo del gabinete
- B. 2³/₁₆" (5,5 cm) de la parte superior del recorte a la parte inferior de la puerta superior del gabinete
- C. 32" (81,3 cm) de la parte inferior del recorte al piso
- D. 28¹/₂" (72,4 cm) de ancho mínimo de recorte
- E. 1¹/₂" (3,8 cm) mínimo de la parte inferior del recorte a la parte superior de la puerta del gabinete
- F. Altura del recorte recomendada 28" (71,2 cm)*
- G. 24" (60,7 cm) de profundidad del recorte

*NOTA: La altura del recorte puede ser de entre 27¹/₄" y 29⁷/₁₆" (69,2 cm y 74,8 cm) para los hornos simples.

*NOTA: Comuníquese con el servicio técnico para obtener protectores altos para recortes mayores que 28¹/₁₆" (72,9 cm).

Dimensiones del gabinete - Hornos simples, instalación alineada

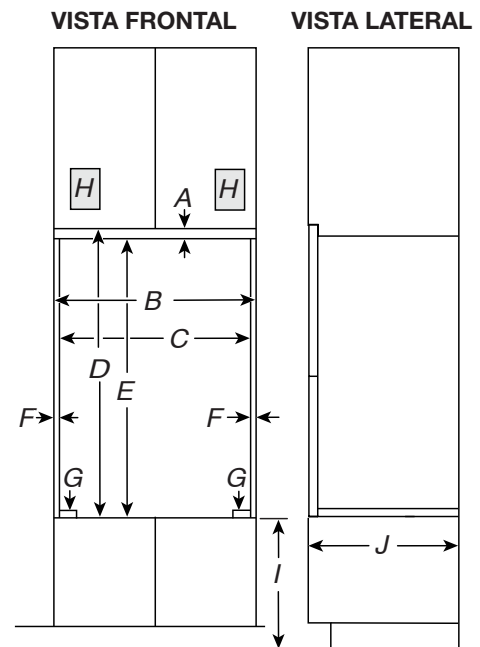
NOTA: Esta es una opción alternativa para instalar su producto en el gabinete y obtener una apariencia alineada. Para ver la instalación estándar, consulte la sección "Dimensiones del gabinete - Hornos simples, instalación estándar".

NOTA: Para instalaciones empotradas, agregue el conjunto de deflector. Consulte la sección "Instalación del conjunto de deflector" del Manual del propietario para obtener más instrucciones.

Se requiere una profundidad de recorte mínima de 25" (63,5 cm).

Los espacios superior e inferior serán de 1/8" (0,3 cm) por encima y por debajo del producto. No se requieren espacios en la parte superior e inferior para la instalación. Las áreas expuestas del gabinete deben tener un acabado que coincida.

Hornos simples instalados en gabinete

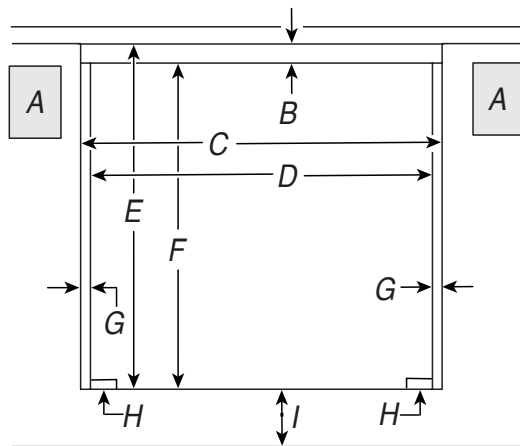


Modelos de 30" (76,2 cm)

- A. 3/4" (1,9 cm) taco superior*
- B. 30¹/₄" (76,8 cm) de ancho mínimo de recorte empotrado al ras
- C. 28⁷/₈" (73,3 cm) de ancho mínimo de apertura
- D. 30⁷/₁₆" (77,3 cm) de altura mínima de recorte empotrado al ras
- E. 29¹/₁₆" (75,4 cm) de altura del recorte recomendado
- F. 11/16" (1,7 cm) taco lateral*
- G. 1/4" (0,6 cm) recomendado con pie. 15/16" a 1¹/₈" (2,2 cm a 2,9 cm) permitido sin pie.
- H. Ubicación recomendada de la caja de empalmes
- I. 7¹/₂"-14³/₄" (19 cm a 37,5 cm) parte inferior del recorte al piso
- J. 25" (63,5 cm) de profundidad mínima de recorte

*Los tacos y espaciadores deben estar empotrados 1³/₈" (3,5 cm) desde el frente del gabinete.

Hornos simples debajo del mostrador - sin la superficie de cocción instalada arriba



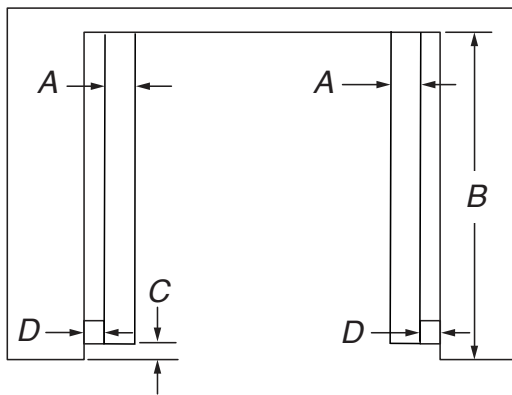
VISTA FRONTAL

Modelos de 30" (76,2 cm)

- A. Ubicación recomendada de la caja de empalmes
- B. 3/4" (1,9 cm) taco superior*
- C. 30 1/4" (76,8 cm) de ancho mínimo de recorte empotrado al ras
- D. 28 7/8" (73,3 cm) de ancho mínimo de apertura
- E. 29 1/4" (74,3 cm) de altura mínima de recorte empotrado al ras
- F. 28 1/2" (72,4 cm) de altura del recorte recomendado
- G. 11/16" (1,7 cm) taco lateral*
- H. 1/4" (0,6 cm) espaciador de toda la profundidad del gabinete*
- I. 4 5/8" (11,7 cm) de la parte inferior del recorte al piso

*Los tacos y espaciadores deben estar empotrados 1 3/8" (3,5 cm) desde el frente del gabinete.

NOTA: Para instalaciones bajo mostrador, agregue el conjunto de deflector. Consulte la sección "Instalación del conjunto de deflector" del Manual del propietario para obtener más instrucciones.



VISTA SUPERIOR

Modelos de 30" (76,2 cm)

- A. 2" (5,1 cm) espaciador de toda la profundidad del recorte*
- B. 25" (63,5 cm) de profundidad de recorte
- C. 1 3/8" (3,5 cm) hueco del frente del gabinete
- D. 11/16" (1,7 cm) taco lateral*

*Los tacos y espaciadores deben estar empotrados 1 3/8" (3,5 cm) desde el frente del gabinete.

Dimensiones de recorte para hornos instalados bajo la superficie de cocción

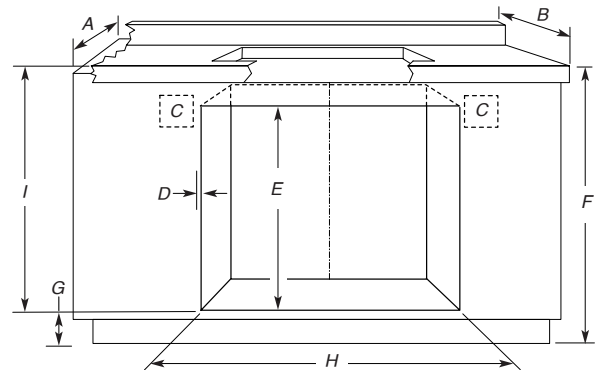
IMPORTANTE: Respete todas las normativas y reglamentos vigentes.

Se debe aprobar el uso de la superficie de cocción sobre un horno. Para obtener las dimensiones de corte, vea las Instrucciones de instalación de la superficie de cocción. Centre el recorte de la superficie de cocción sobre el recorte del horno.

Los hornos que hayan sido aprobados para este tipo de instalación tienen la etiqueta de aprobación ubicada en la parte superior del horno.

Para evitar daños a los gabinetes, consulte al constructor o al distribuidor de los gabinetes para asegurarse de que los materiales empleados no cambien de color, no se desprenda el laminado ni sufran ningún otro tipo de daño. Este horno se ha diseñado de acuerdo con UL y CSA International y cumple con las temperaturas máximas permitidas para gabinetes de madera de 194 °F (90 °C).

Combinaciones aprobadas de horno empotrado y superficie de cocción eléctrica/radiante/de inducción o sin superficie de cocción instalada encima del horno



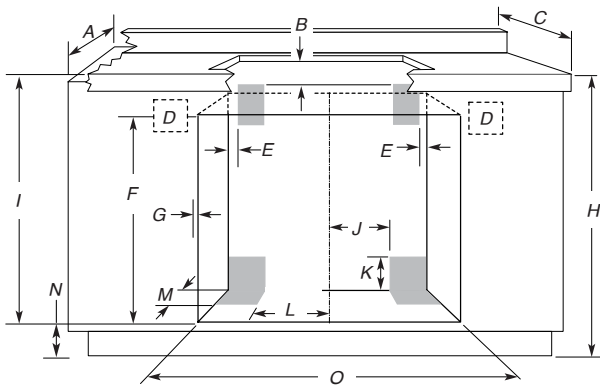
- A. Profundidad de gabinete de 24" (61 cm)
- B. Profundidad del mostrador de 25" (63,5 cm)
- C. Ubicaciones recomendadas para el horno y la caja de empalmes
- D. Deje 5/8" (1,6 cm) para que el borde del horno quede solapado a cada lado
- E. 27 3/4" (70,5 cm) de altura del recorte mínima
- F. 36" (91,4 cm) desde el gabinete base al mostrador
- G. 4 1/2" (11,4 cm) máximo desde la base del gabinete con pies instalados. Si la dimensión "F" es mayor a 36" (91,4 cm), se debe aumentar la dimensión de "G" en la misma proporción para las combinaciones de inducción.
- H. 28 1/2" (72,4 cm) dimensión mínima del recorte del horno
- I. 31 3/8" (82,2 cm) desde la parte superior del mostrador hasta la parte inferior del recorte

Para las combinaciones aprobadas del número de modelo, consulte la etiqueta bajo el mostrador ubicada en la parte superior del chasis del horno y en la parte inferior del cuerpo del quemador de la superficie de cocción.

NOTA: Para instalaciones bajo mostrador, agregue el conjunto de deflector. Consulte la sección "Instalación del conjunto de deflector" del Manual del propietario para obtener más instrucciones.

NOTA: Para la instalación bajo mostrador, se recomienda que las cajas de empalmes para el horno y la superficie de cocción se encuentren en el gabinete adyacente derecho o izquierdo y se debe instalar un conjunto de deflector. Se debe perforar un orificio de 1" (2,5 cm) de diámetro como mínimo en la esquina superior trasera a la derecha o izquierda de la pared lateral para pasar el cable del accesorio a través de la caja de empalmes.

Combinaciones aprobadas de horno integrado y superficie de cocción a gas



- A. Profundidad de gabinete de 24" (61 cm)
- B. 1" (2,5 cm) de distancia en la parte inferior del mostrador
- C. Profundidad del mostrador de 25" (63,5 cm)
- D. Ubicaciones recomendadas la caja de empalmes
- E. 1" (2,5 cm) de distancia del gabinete
- F. 27³/₄" (70,5 cm) de altura del recorte mínima
- G. Deje 5/8" (1,6 cm) para que el borde del horno quede solapado a cada lado
- H. 36" (91,4 cm) desde el gabinete base al mostrador
- I. 31³/₈" (79,7 cm) desde la parte superior del mostrador hasta la parte inferior del recorte
- J. Tubería de gas a través de la pared a 10¹/₂" (26,7 cm) desde el centro del recorte
- K. 3¹/₄" (8,3 cm)
- L. Tubería de gas a través del piso a 10¹/₂" (26,7 cm) desde el centro del recorte
- M. 3¹/₂" (8,9 cm)
- N. 4¹/₂" (11,4 cm) máximo desde la base del gabinete con pies instalados
- O. 28¹/₂" (72,4 cm) dimensión mínima del recorte del horno

Para las combinaciones aprobadas del número de modelo, consulte la etiqueta bajo el mostrador ubicada en la parte superior del chasis del horno.

NOTA: Para instalaciones bajo mostrador, agregue el conjunto de deflector. Consulte la sección "Instalación del conjunto de deflector" del Manual del propietario para obtener más instrucciones.

NOTA: Para la instalación bajo mostrador, se recomienda que la caja de empalmes para el horno se encuentre en el gabinete adyacente derecho o izquierdo y se debe instalar un conjunto de deflector. Se debe perforar un orificio de 1" (2,5 cm) de diámetro como mínimo en la esquina superior trasera a la derecha o izquierda de la pared lateral para pasar el cable del accesorio a través de la caja de empalmes.

Las áreas superiores sombreadas son las ubicaciones recomendadas para la caja de empalmes empotrada para una superficie de cocción con toma de corriente de 120 V con conexión a tierra.

Las áreas inferiores sombreadas son las ubicaciones recomendadas para la instalación de tuberías de gas rígidas o flexibles. La conexión del gas en la superficie de cocción está a la derecha (en la misma ubicación que la "J" del diagrama anterior). La tubería de gas se puede instalar a cualquier lado del corte y a través del piso o de la pared. Consulte los códigos locales en relación con el uso de tuberías de gas.

Requisitos eléctricos

⚠ ADVERTENCIA



Peligro de Choque Eléctrico

Desconecte el suministro de energía antes de realizar el servicio.

Conecte este aparato con conexión a tierra.

No seguir estas instrucciones puede causar la muerte, un incendio o una descarga eléctrica.

Si los códigos lo permiten y se emplea un cable de conexión a tierra separado, se recomienda que un instalador eléctrico competente determine si la ruta de conexión a tierra y el calibre del cable están de acuerdo con los códigos locales.

Si no está seguro de que la conexión a tierra del horno sea la adecuada, verifíquela con un instalador eléctrico competente.

Este horno debe estar conectado a un sistema de cableado de metal permanente, conectado a tierra.

Asegúrese de que la conexión eléctrica y el tamaño del cable sean adecuados y en conformidad con el National Electrical Code (Código Nacional Eléctrico), ANSI/NFPA 70, última edición, o las normas de CSA C22.1-94, Canadian Electrical Code (Código Canadiense de Electricidad), Parte 1 y C22.2 N.º O-M91, última edición, y todos los códigos y ordenanzas locales.

Puede obtener una copia de los códigos antes indicados en:

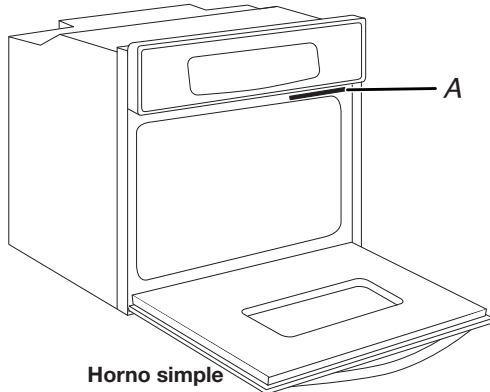
National Fire Protection Association
1 Batterymarch Park
Quincy, MA 02169-7471

CSA International
8501 East Pleasant Valley Road
Cleveland, OH 44131-5575

Conexión eléctrica

Para instalar el horno correctamente, se debe determinar el tipo de conexión eléctrica que se va a usar y seguir las instrucciones que aquí se proveen para el caso.

- El horno se debe conectar con la tensión y la frecuencia eléctricas correctas según se especifica en la placa de modelo/serie/valores nominales. La placa de modelo/serie/valores nominales está debajo del panel de control en los hornos simples y debajo del panel de control sobre la cavidad del horno superior en los hornos dobles. Vea la siguiente ilustración.



Horno simple
A. Placa de modelo/serie/valores nominales

- Los modelos clasificados entre 7,3 y 9,6 kW a 240 V (entre 5,4 y 7,4 kW a 208 V) requieren un circuito de 40 A separado. Los modelos clasificados a 4,8 kW o menos a 240 V (a 3,6 kW o menos a 208 V) requieren un circuito de 20 A separado.

- Se recomienda usar un disyuntor.
- Conecte el horno directamente a un cortacircuitos con fusible (o a una caja de cortacircuitos), a través de un cable flexible, blindado o con forro no metálico, de cobre (con alambre a tierra). Consulte la sección “Realizar la conexión del suministro eléctrico” en el Manual del propietario.
- El conducto flexible del horno deberá conectarse directamente a la caja de empalmes.
- Use fusibles a ambos lados de la línea.
- No corte el conducto. La longitud del conducto provisto es para permitir darle servicio al horno.
- Deberá proveerse un conector de conducto que esté en la lista de UL o aprobado por CSA.
- Si la casa tiene cableado de aluminio, siga el procedimiento a continuación:
Conecte el cableado de aluminio usando conectores especiales y/o herramientas diseñadas y de la lista de UL para unir el cobre al aluminio. Siga el procedimiento recomendado por el fabricante del conector eléctrico. La conexión de cobre/aluminio deberá hacerse en conformidad con los códigos locales y las prácticas de cableado aceptadas por la industria.

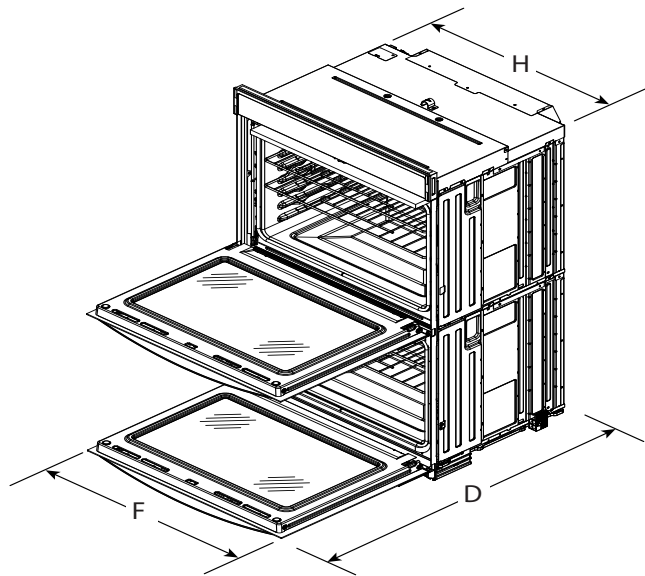
DIMENSION GUIDE

JENNAIR® ELECTRIC DOUBLE WALL OVEN

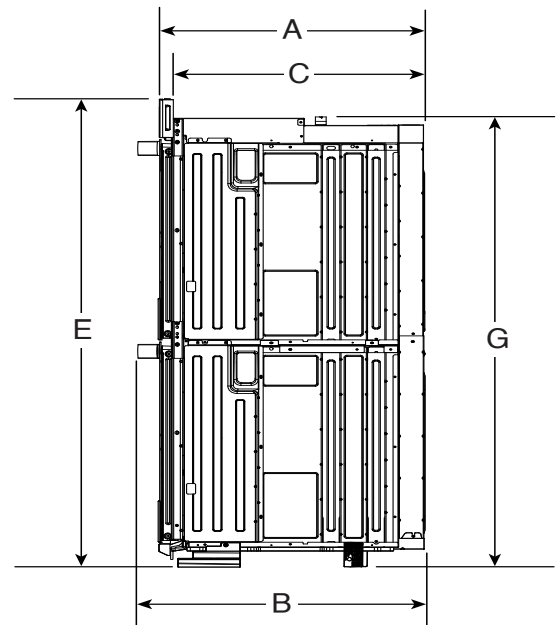
PRODUCT: JOEDC330RL; JOEDC330RM; JOEDC530RL; JOEDC530RM; JOEDC730RL;
JOEDC730RM

APPLIANCE:		30" ELECTRIC DOUBLE WALL OVEN			
		JOEDC330RL00; JOEDC530RL00; JOEDC730RL00		JOEDC330RM00; JOEDC530RM00; JOEDC730RM00	
	Units	in	cm	in	cm
A	Depth Closed Excluding Handle (Flush Install)	24 ⁷ / ₁₆	62	24 ⁷ / ₁₆	62.1
B	Depth Closed Including Handle	27 ⁵ / ₁₆	69.3	26 ¹ / ₂	67.2
C	Depth to Back of Console (Standard Install)	23 ¹ / ₁₆	58.6	23 ¹ / ₁₆	58.6
D	Depth with Door Open 90°	46 ³ / ₁₆	117.3	46 ³ / ₁₆	117.3
E	Maximum Height (Including Console)	53 ¹³ / ₁₆	136.7	53 ¹³ / ₁₆	136.7
E	Minimum Height (Including Console)	52 ¹ / ₁₆	132.2	52 ¹ / ₁₆	132.2
F	Face Width	29 ³ / ₄	75.6	29 ³ / ₄	75.6
G	Maximum Height (Not Including Console)	50 ¹ / ₂	128.3	50 ¹ / ₂	128.3
G	Minimum Height (Not Including Console)	48 ³ / ₄	123.8	48 ³ / ₄	123.8
H	Recessed Width	28 ⁵ / ₁₆	71.9	28 ⁵ / ₁₆	71.9

Feet are available through Service to increase product height for installations where taller cutouts were used.



ANGLED VIEW



SIDE VIEW

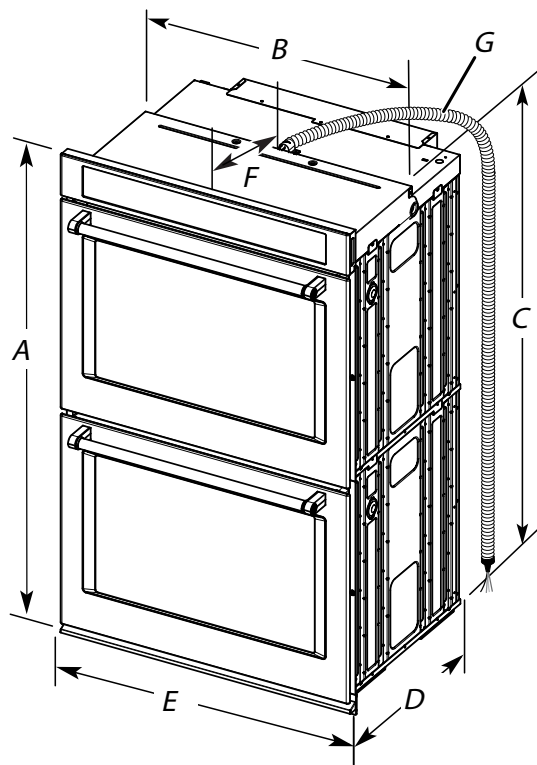
IMPORTANT: Dimensional specifications are provided for planning purposes only. Do not make any cutouts based on this information. Refer to the Owner's Manual before selecting cabinetry, verifying electrical/gas connections, making cutouts or beginning installation.

Location Requirements

IMPORTANT: Observe all governing codes and ordinances.

- Cabinet opening dimensions that are shown must be used. Given dimensions provide minimum clearance with oven.
- Recessed installation area must provide complete enclosure around the recessed portion of the oven.
- Grounded electrical supply is required. See "Electrical Requirements" section.
- Electrical supply junction box should be located 3" (7.6 cm) maximum above the support surface when the oven is installed in a wall cabinet. A 1" (2.5 cm) minimum diameter hole should have been drilled in the right rear or left rear corner of the support surface to pass the appliance cable through to the junction box.
- Oven support surface must be solid, level, and flush with bottom of cabinet cutout.
- Floor must be able to support an oven weight of 435 lbs (197.3 kg) for 30" (76.2 cm) models.
IMPORTANT: To avoid damage to your cabinets, check with your builder or cabinet supplier to make sure that the materials used will not discolor, delaminate or sustain other damage. This oven has been designed in accordance with the requirements of UL and CSA International and complies with the maximum allowable wood cabinet temperatures of 194°F (90°C).
- On single and double oven models installed above a warming drawer or for ovens installed using flush installation cabinetry, a deflector assembly must be installed. See "Install Deflector Assembly" section of the owner's manual for further instruction.

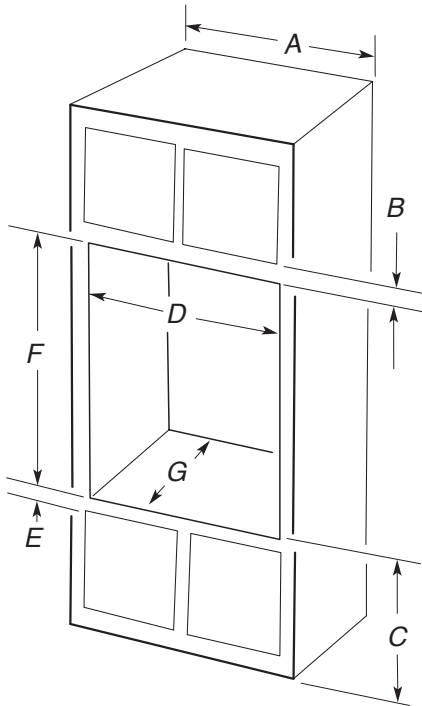
Product Dimensions - Double Ovens, Standard Installation



30" (76.2 cm) models

- A. 52⁹/₁₆" (133.5 cm) maximum overall height
- B. 28⁷/₁₆" (72.2 cm) maximum recessed width
- C. 48¹³/₁₆" (124.0 cm) recessed height
- D. 23¹/₄" (59.1 cm) maximum recessed depth
- E. 29³/₄" (75.6 cm) overall width
- F. 12" (30.5 cm) from back of control panel to start of strain relief
- G. 66" (167.6 cm) flexible conduit length

Double Ovens Installed in Cabinet



30" (76.2 cm) models

- A. 30" (76.2 cm) minimum cabinet width
- B. 2³/₁₆" (5.5 cm) top of cutout to bottom of upper cabinet door
- C. 14³/₄" (37.5 cm) bottom of cutout to floor is recommended
7¹/₂"-14³/₄" (19 cm-37.5 cm) bottom of cutout to floor is acceptable.
- D. 28¹/₂" (72.4 cm) minimum cutout width
- E. 1¹/₂" (3.8 cm) minimum bottom of cutout to top of cabinet door
- F. 50¹/₄" (127.6 cm)* recommended cutout height
- G. 24" (60.7 cm) cutout depth

*NOTE: The cutout height can be between 50" and 52³/₁₆" (127 cm and 132.6 cm) for double ovens.

*NOTE: Contact service to get tall shield for cutouts greater than 50³/₈" (128 cm) to enhance installation.

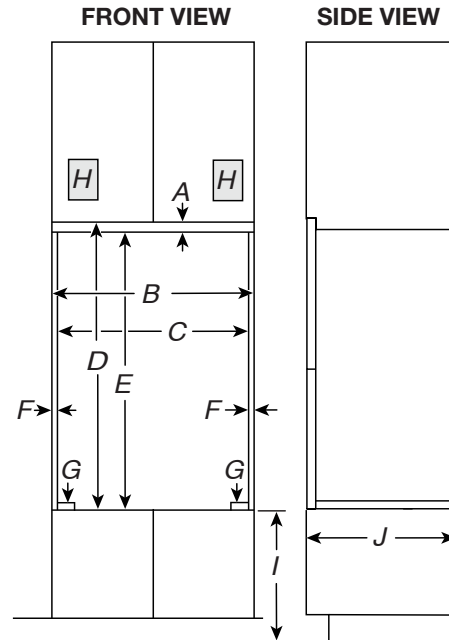
Cabinet Dimensions - Double Ovens, Flush Installations

NOTE: This is an alternate option to install your product in the cabinet and obtain a flush look. For standard installation, refer section "Product Dimensions - Double Ovens, Standard Installation."

NOTE: For flush installations add the deflector assembly. See "Install Deflector Assembly" section of the owner's manual for further instruction.

A 25" (63.5 cm) minimum cutout depth is required. Top and bottom gaps will be 1/8" (0.3 cm) gap above and below the product. Top and bottom gaps not required for installation. Exposed areas of the cabinet should be finished to match. The front face of the cleats and platform will be visible and should be treated as a finished surface.

Double Ovens Installed in Cabinet

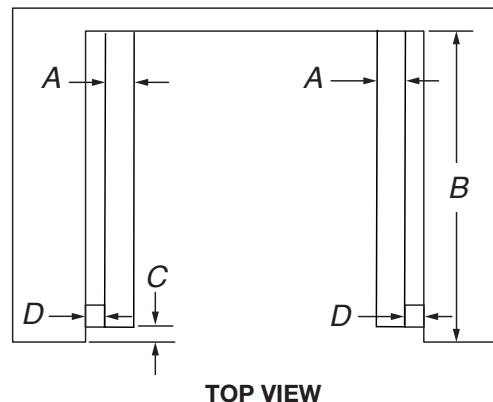


30" (76.2 cm) models

- A. 3/4" (1.9 cm) top cleat*
- B. 30¹/₄" (76.8 cm) minimum width of flush inset cutout
- C. 28⁷/₈" (73.3 cm) minimum width of opening
- D. 53³/₁₆" (135.1 cm) minimum height of flush inset cutout
- E. 52³/₈" (133.1 cm) recommended cutout height
- F. 11/16" (1.7 cm) side cleat*
- G. 15/16" to 1¹/₁₆" (2.2 cm to 2.7 cm) recommended, 1/4" (0.6 cm) allowable with optional foot.*
- H. Recommended junction box location
- I. 7¹/₂"-14³/₄" (19 cm-37.5 cm) bottom of cutout to floor
- J. 25" (63.5 cm) minimum depth of cutout

*Cleats and spacers must be recessed 1³/₈" (3.5 cm) from the front of the cabinet.

Feet are available through Service to increase product height for installations where taller cutouts were used.




30" (76.2 cm) models

- A. 2" (5.1 cm) spacer the entire depth of the cutout*
- B. 25" (63.5 cm) depth of cutout
- C. 1³/₈" (3.5 cm) recess from front of cabinet
- D. 11/16" (1.7 cm) side cleat*

*Cleats and spacers must be recessed 1³/₈" (3.5 cm) from the front of the cabinet.

Electrical Requirements

⚠ WARNING



Electrical Shock Hazard

Disconnect power before servicing.

Electrically ground appliance.

Failure to do so can result in death, fire, or electrical shock.

If codes permit and a separate ground wire is used, it is recommended that a qualified electrical installer determine that the ground path and the wire gauge are in accordance with local codes.

Check with a qualified electrical installer if you are not sure the oven is properly grounded.

This oven must be connected to a grounded metal, permanent wiring system.

Be sure that the electrical connection and wire size are adequate and in conformance with the National Electrical Code, ANSI/NFPA 70-latest edition or CSA Standards C22.1-94, Canadian Electrical Code, Part 1 and C22.2 No. O-M91-latest edition, and all local codes and ordinances.

A copy of the above code standards can be obtained from:

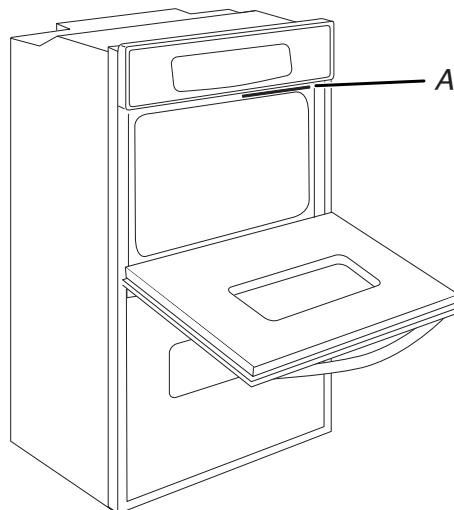
National Fire Protection Association
1 Batterymarch Park
Quincy, MA 02169-7471

CSA International
8501 East Pleasant Valley Road
Cleveland, OH 44131-5575

Electrical Connection

To properly install your oven, you must determine the type of electrical connection you will be using and follow the instructions provided for it here.

- Oven must be connected to the proper electrical voltage and frequency as specified on the model/serial/rating plate. The model/serial/rating plate is located under the control panel on single ovens and under the control panel on the upper oven cavity on double ovens. See the following illustration.



A. Model/serial/rating plate

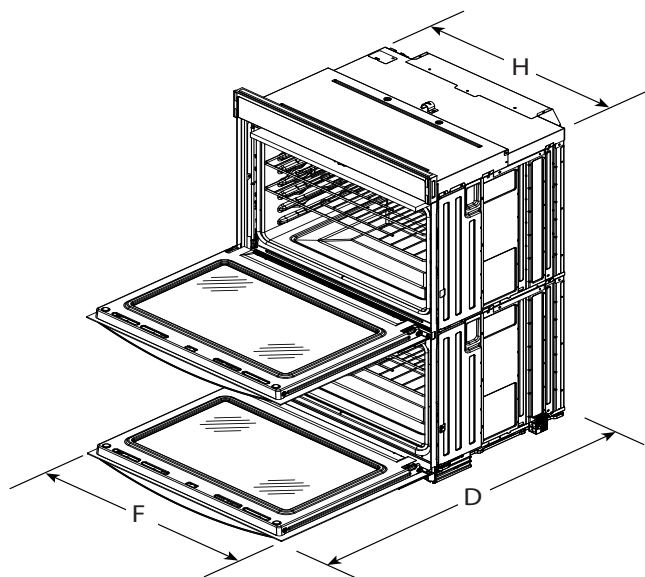
- Models rated from 7.3 to 9.6 kW at 240 V (5.4 to 7.4 kW at 208 V) require a separate 40 A circuit. Models rated at 4.8 kW and below at 240 V (3.6 kW and below at 208 V) require a separate 20 A circuit.
- A circuit breaker is recommended.
- Connect directly to the fused disconnect (or circuit breaker box) through flexible, armored or nonmetallic sheathed, copper cable (with grounding wire). See the “Make Electrical Connection” section in the Owner’s Manual.
- Flexible conduit from the oven should be connected directly to the junction box.
- Fuse both sides of the line.
- Do not cut the conduit. The length of conduit provided is for serviceability of the oven.
- A UL listed or CSA-approved conduit connector must be provided.
- If the house has aluminum wiring, follow the procedure below:
Connect the aluminum wiring using special connectors and/or tools designed and UL listed for joining copper to aluminum.
Follow the electrical connector manufacturer’s recommended procedure. Aluminum/copper connection must conform with local codes and industry-accepted wiring practices.

FOUR ENCASTRÉ DOUBLE ÉLECTRIQUE JENNAIR®

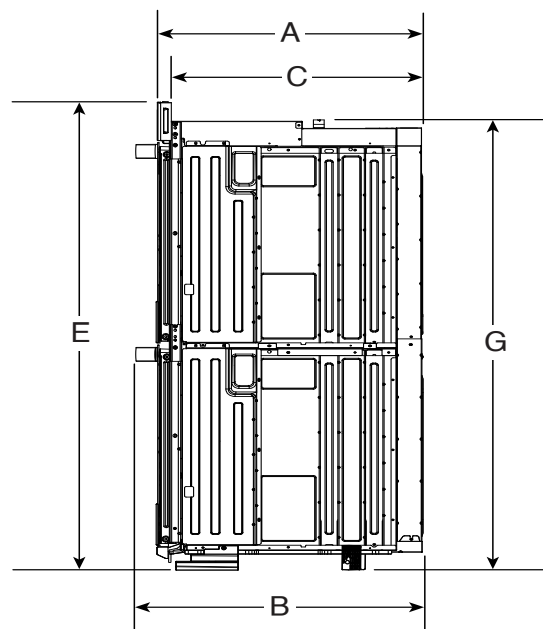
PRODUIT : JOEDC330RL; JOEDC330RM; JOEDC530RL; JOEDC530RM; JOEDC730RL;
JOEDC730RM

APPAREIL :		FOUR ENCASTRÉ DOUBLE ÉLECTRIQUE DE 30 PO			
		JOEDC330RL00; JOEDC530RL00; JOEDC730RL00		JOEDC330RM00; JOEDC530RM00; JOEDC730RM00	
	Unités	po	cm	po	cm
A	Profondeur, fermé sans poignée (en affleurement)	24 ⁷ / ₁₆	62	24 ⁷ / ₁₆	62,1
B	Profondeur, fermée avec poignée	27 ⁵ / ₁₆	69,3	26 ¹ / ₂	67,2
C	Profondeur jusqu'à l'arrière de la console (installation standard)	23 ¹ / ₁₆	58,6	23 ¹ / ₁₆	58,6
D	Profondeur avec porte ouverte 90°	46 ³ / ₁₆	117,3	46 ³ / ₁₆	117,3
E	Hauteur maximum (incluant la console)	53 ¹³ / ₁₆	136,7	53 ¹³ / ₁₆	136,7
E	Hauteur minimum (incluant la console)	52 ¹ / ₁₆	132,2	52 ¹ / ₁₆	132,2
F	Largeur de l'avant	29 ³ / ₄	75,6	29 ³ / ₄	75,6
G	Hauteur maximum (sans la console)	50 ¹ / ₂	128,3	50 ¹ / ₂	128,3
G	Hauteur minimum (sans la console)	48 ³ / ₄	123,8	48 ³ / ₄	123,8
H	Largeur d'encastrement	28 ⁵ / ₁₆	71,9	28 ⁵ / ₁₆	71,9

Des pieds sont disponibles auprès du service après-vente afin d'augmenter la hauteur du produit pour les installations où des découpes plus hautes ont été utilisées.



VUE EN ANGLE



VUE LATÉRALE

IMPORTANT : Les spécifications dimensionnelles sont fournies uniquement à des fins de planification.

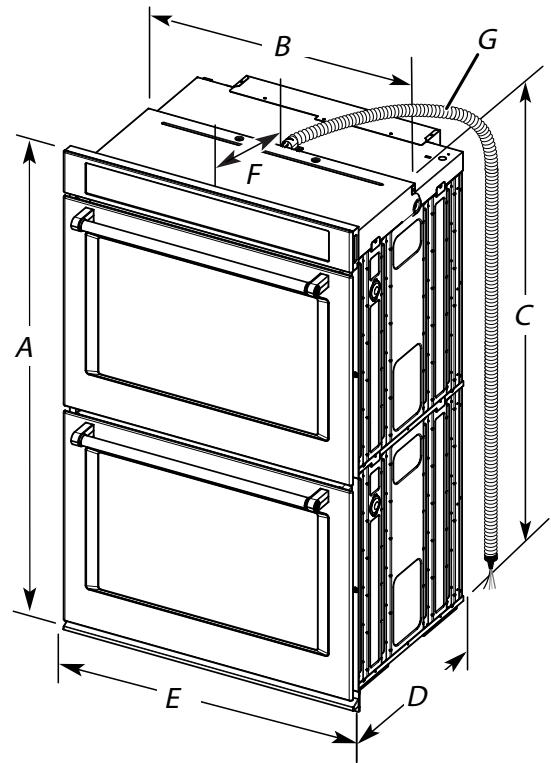
N'aménager aucune ouverture sur la base de cette information. Se référer au manuel de l'utilisateur avant de choisir une armoire, de vérifier les connexions électriques/au gaz, d'effectuer des découpes ou de commencer l'installation.

Exigences d'emplacement

IMPORTANT : Observer les dispositions de tous les codes et règlements en vigueur.

- Les dimensions d'ouverture de l'armoire indiquées doivent être utilisées. Ces dimensions tiennent compte des dégagements de séparation nécessaires pour le four.
- L'espace d'installation dans un encastrement doit permettre la formation d'une enceinte complète autour de la partie encastrée du four.
- Une source d'électricité avec liaison à la terre est nécessaire. Voir la section « Spécifications Électriques ».
- Le boîtier de raccordement doit être situé à moins de 3 po (7,6 cm) au-dessus de la surface de support lorsque le four est installé dans une armoire. Un trou d'un diamètre de 1 po (2,5 cm) ou plus doit avoir été percé dans l'angle arrière gauche ou droit de la surface de support pour le passage du câble d'alimentation de l'appareil jusqu'au boîtier de connexion.
- La surface de support du four doit être robuste, horizontale et en affleurement avec le bas de l'ouverture découpée dans l'armoire.
- Pour un modèle de 30 po (76,2 cm), le plancher doit pouvoir supporter un poids de 435 lb (197,3 kg).
IMPORTANT : Pour éviter d'endommager vos armoires, vérifier avec le fabricant ou le fournisseur d'armoires pour s'assurer que les matériaux utilisés ne décoloreront et ne délamineront pas ou ne subiront pas d'autres dommages. Ce four a été conçu conformément aux exigences des normes UL et CSA International et respecte les températures maximales permises de 194 °F (90 °C) pour les armoires en bois.
- Sur les modèles de four simple et double installé au-dessus d'un tiroir-réchaud ou pour les fours installés en affleurement avec une armoire, un assemblage de déflecteurs pour tiroir-réchaud doit être installé. Voir la section « Installation de l'assemblage du déflecteur » du manuel de l'utilisateur pour obtenir plus d'informations.

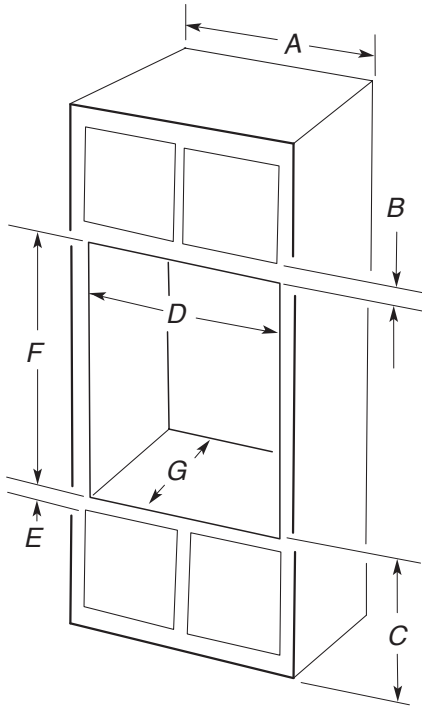
Dimensions de l'armoire – Installation standard d'un four double



Modèles de 30 po (76,2 cm)

- A. Hauteur totale maximum : $52 \frac{9}{16}$ po (133,5 cm)
- B. Largeur maximum de l'encastrement : $28 \frac{7}{16}$ po (72,2 cm)
- C. Hauteur d'encastrement : $48 \frac{13}{16}$ po (124,0 cm)
- D. Profondeur maximum de l'encastrement : $23 \frac{1}{4}$ po (59,1 cm)
- E. Largeur totale : $29 \frac{3}{4}$ po (75,6 cm)
- F. De l'arrière du tableau de commande jusqu'à l'extrémité avant du serre-câbles : 12 po (30,5 cm)
- G. Longueur du conduit flexible : 66 po (167,6 cm)

Fours doubles installés dans une armoire



Modèles de 30 po (76,2 cm)

- A. Largeur minimum de l'armoire : 30 po (76,2 cm)
- B. Du sommet de la découpe au bas de la porte de l'armoire supérieure : 2 3/16 po (5,5 cm)
- C. Du fond de la découpe au plancher : 14 3/4 po (37,5 cm)
recommandé.
Une distance de 7 1/2 po à 14 3/4 po (19 cm à 37,5 cm) entre le bas de l'ouverture et le plancher est acceptable.
- D. 28 1/2 po (72,4 cm) de largeur minimum pour l'ouverture découpée
- E. Du fond de l'ouverture au dessus de la porte de l'armoire : 1 1/2 po (3,8 cm) min.
- F. Hauteur recommandée de la découpe : 50 1/4 po (127,6 cm)*
- G. Profondeur de découpe : 24 po (60,7 cm)

***REMARQUE :** Pour les fours doubles, la hauteur de la découpe peut être comprise entre 50 po et 52 3/16 po (127 cm et 132,6 cm).

***REMARQUE :** Communiquer avec le service pour obtenir un grand écran pour une ouverture supérieure à 50 3/8 po (128 cm) pour améliorer l'installation

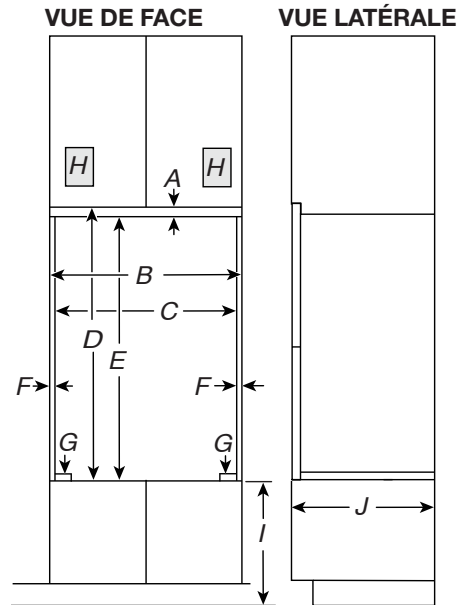
Dimensions de l'armoire – Fours doubles, installations en affleurement

REMARQUE : Il s'agit d'un choix alternatif pour installer votre produit dans une armoire et obtenir un style en affleurement. Pour une installation standard, consulter la section « Dimensions du produit – Four double, installation standard. »

REMARQUE : Pour les installations encastrées, ajouter le déflecteur. Voir la section « Installation de l'assemblage du déflecteur » du manuel de l'utilisateur pour obtenir plus d'informations.

Une découpe de 25 po (63,5 cm) minimum est requise. Les écarts supérieur et inférieur seront de 1/8 po (0,3 cm) au-dessus et en dessous du produit. Les écarts supérieurs et inférieurs ne sont pas nécessaires pour l'installation. Les zones exposées de l'armoire doivent être revêtues d'un fini pour correspondre. Le côté avant des tasseaux et plates-formes sera visible et doit être traité comme une surface de finition.

Fours doubles installés dans une armoire

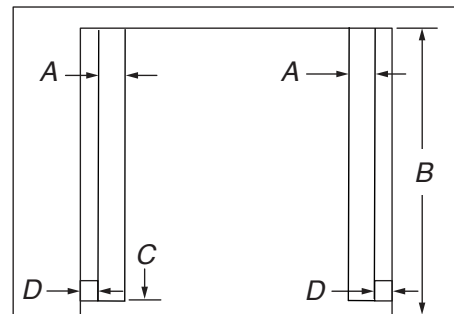


Modèles de 30 po (76,2 cm)

- A. Tasseau supérieur de 3/4 po (1,9 cm)*
- B. Largeur minimale de l'ouverture intégrée en affleurement : 30 1/4 po (76,8 cm)
- C. Largeur minimum de l'ouverture : 28 7/8 po (73,3 cm)
- D. Hauteur minimale de l'ouverture intégrée en affleurement : 53 3/16 po (135,1 cm)
- E. Hauteur recommandée de la découpe : 52 3/8 po (133,1 cm)
- F. Tasseau latéral de 11/16 po (1,7 cm)*
- G. Dimension recommandée de 15/16 po à 1 1/16 po (2,2 cm à 2,7 cm), 1/4 po (0,6 cm) permis avec les pieds en option.*
- H. Emplacement recommandé pour la boîte de jonction
- I. 7 1/2 po à 14 3/4 po (19 cm à 37,5 cm) du fond de la découpe au plancher
- J. Profondeur minimum de la découpe : 25 po (63,5 cm)

*Les tasseaux et les cales d'espacement doivent être encastrés à 1 3/8 po (3,5 cm) depuis l'avant de l'armoire.

Des pieds sont disponibles auprès du service après-vente afin d'augmenter la hauteur du produit pour les installations où des découpes plus hautes ont été utilisées.



VUE DU DESSUS

Modèles de 30 po (76,2 cm)

- A. Cale d'espacement de 2 po (5,1 cm) sur la profondeur totale de l'ouverture*
- B. Profondeur de la découpe : 25 po (63,5 cm)
- C. Encastrement à partir de l'avant de l'armoire : 1 3/8 po (3,5 cm)
- D. Tasseau latéral de 11/16 po (1,7 cm)*

*Les tasseaux et les cales d'espacement doivent être encastrés à 1 3/8 po (3,5 cm) depuis l'avant de l'armoire.

Spécifications électriques

⚠ AVERTISSEMENT**Risque de Décharge Électrique**

Déconnecter la source de courant électrique avant l'entretien.

Appareil relié à la terre.

Le non-respect de ces instructions peut causer un décès, un incendie ou une décharge électrique.

Si on utilise un conducteur distinct de liaison à la terre et lorsque les codes le permettent, il est recommandé qu'un électricien qualifié vérifie que la liaison à la terre et le calibre des fils sont conformes aux codes locaux.

En cas de doute quant à la qualité de la liaison à la terre du four, consulter un électricien qualifié.

Ce four doit être raccordé à un système permanent, métallique de câblage relié à la terre.

S'assurer que la connexion électrique et le calibre des fils sont appropriés et conformes au National Electrical Code, aux normes ANSI/NFPA 70 – dernière édition, ou aux normes CSA C22.1-94, au Code canadien de l'électricité, Partie 1 et C22.2 No O-M91 – dernière édition, et à tous les codes et règlements locaux.

Pour obtenir un exemplaire des normes des codes ci-dessus, contacter :

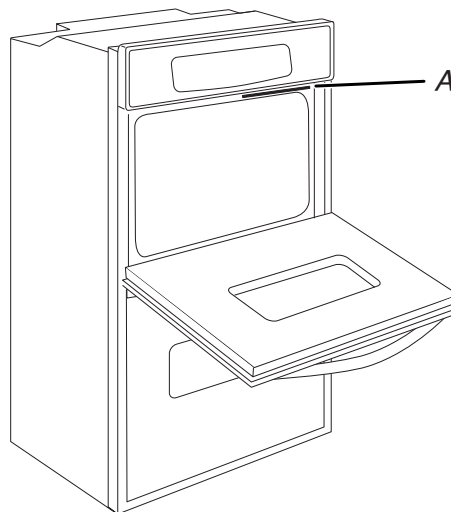
National Fire Protection Association
1 Batterymarch Park
Quincy, MA 02169-7471

CSA International
8501 East Pleasant Valley Road
Cleveland, OH 44131-5575

Raccordement électrique

Pour installer le four de façon appropriée, il faut établir le type de raccords électriques qui sera utilisé et suivre les instructions de ce document.

- Le four doit être alimenté par une source d'électricité et une tension appropriées, comme spécifié sur la plaque signalétique. La plaque signalétique du numéro de modèle et de série est située sous le panneau de configuration sur les fours simples et sous le panneau de configuration sur la cavité supérieure du four sur les fours doubles. Voir l'illustration suivante.



A. Plaque signalétique du numéro de modèle et de série

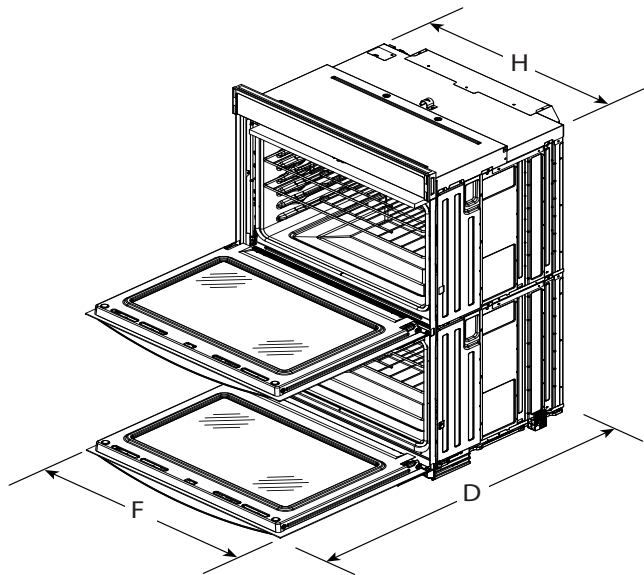
- Les modèles à 240 V de 7,3 à 9,6 kW (208 V de 5,4 à 7,4 kW) doivent être alimentés par un circuit indépendant de 40 A. Les modèles à 240 V de 4,8 kW ou moins (208 V de 3,6 kW ou moins) doivent être alimentés par un circuit indépendant de 20 A.
- L'emploi d'un disjoncteur est recommandé.
- Raccorder l'appareil directement au tableau de distribution par un câble à conducteur de cuivre et gaine métallique flexible ou gaine non métallique (avec conducteur de liaison à la terre). Consulter la section « Raccordement électrique » du manuel de l'utilisateur.
- Le câble flexible du four doit être connecté directement dans le boîtier de connexion.
- Installer un fusible aux deux extrémités de la ligne.
- Ne pas couper le conduit. La longueur du conduit fournie est destinée à faciliter l'entretien du four.
- L'installateur doit fournir un connecteur de conduit (homologation UL ou CSA).
- Si le domicile possède un câblage en aluminium, suivre la procédure ci-dessous :
Connecter le câblage en aluminium en utilisant des capuchons ou des outils spécialement conçus et homologués UL pour raccorder le cuivre à l'aluminium. Suivre la procédure recommandée par le fabricant de connecteurs électriques. Les raccordements aluminium/cuivre doivent satisfaire aux prescriptions des codes locaux et de l'industrie, et être conformes aux pratiques de câblage reconnues.

HORNO DE PARED DOBLE ELÉCTRICO JENNAIR®

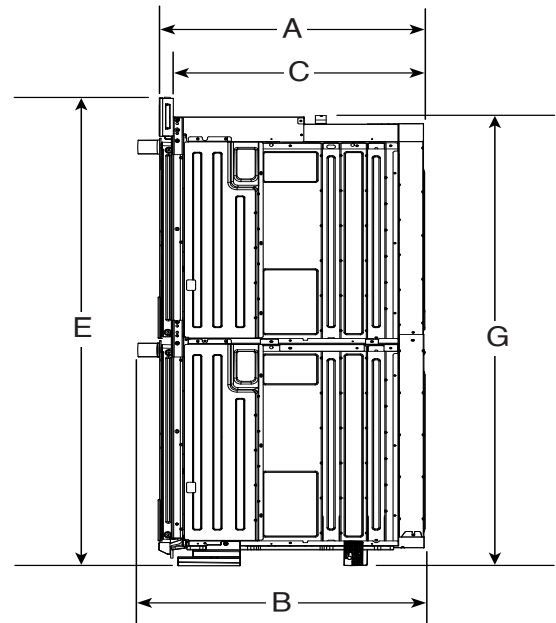
PRODUCTO: JOEDC330RL; JOEDC330RM; JOEDC530RL; JOEDC530RM; JOEDC730RL; JOEDC730RM

ELECTRODOMÉSTICO:		HORNO DE PARED DOBLE ELÉCTRICO DE 30"			
		JOEDC330RL00; JOEDC530RL00; JOEDC730RL00		JOEDC330RM00; JOEDC530RM00; JOEDC730RM00	
	Unidades	pulg.	cm	pulg.	cm
A	Profundidad del producto cerrado sin las manijas (instalación enrasada)	24 ⁷ / ₁₆	62	24 ⁷ / ₁₆	62,1
B	Profundidad del producto cerrado con las manijas	27 ⁵ / ₁₆	69,3	26 ¹ / ₂	67,2
C	Profundidad hasta parte posterior de la consola (instalación estándar)	23 ¹ / ₁₆	58,6	23 ¹ / ₁₆	58,6
D	Profundidad con puerta abierta 90°	46 ³ / ₁₆	117,3	46 ³ / ₁₆	117,3
E	Altura máxima (incluida la consola)	53 ¹³ / ₁₆	136,7	53 ¹³ / ₁₆	136,7
E	Altura mínima (incluida la consola)	52 ¹ / ₁₆	132,2	52 ¹ / ₁₆	132,2
F	Ancho de frente	29 ³ / ₄	75,6	29 ³ / ₄	75,6
G	Altura máxima (sin incluir la consola)	50 ¹ / ₂	128,3	50 ¹ / ₂	128,3
G	Altura mínima (sin incluir la consola)	48 ³ / ₄	123,8	48 ³ / ₄	123,8
H	Ancho empotrado	28 ⁵ / ₁₆	71,9	28 ⁵ / ₁₆	71,9

Las patas están disponibles del servicio para aumentar la altura del producto para instalaciones donde se usaron recortes más altos.



VISTA EN ÁNGULO



VISTA LATERAL

IMPORTANTE: Las especificaciones de medidas son solo para fines de planificación.

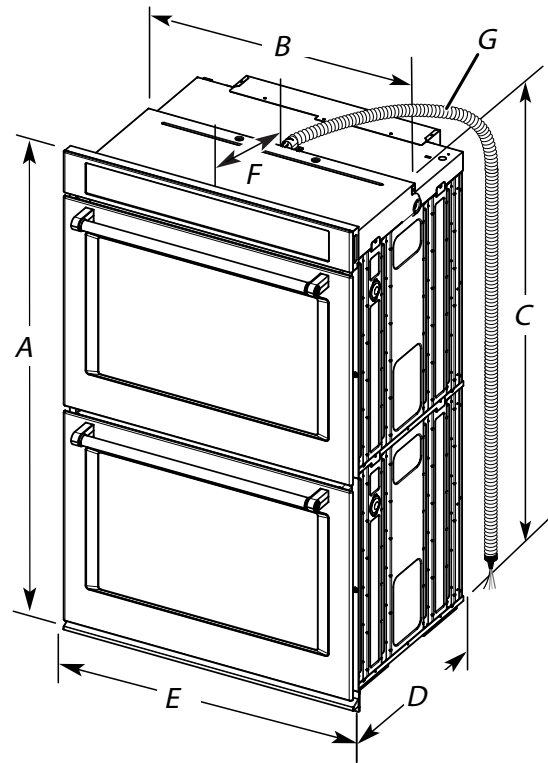
No realice ningún corte basado en esta información. Consulte el Manual del propietario antes de la selección de gabinetes, verificar las conexiones eléctricas/de gas, realizar cortes o iniciar la instalación.

Requisitos de ubicación

IMPORTANTE: Respete todas las normativas y reglamentos vigentes.

- Deben usarse las dimensiones de la abertura del gabinete que se muestran. Las dimensiones dadas proveen un espacio mínimo, incluyendo el horno.
- El área de instalación empotrada debe estar completamente cerrada alrededor de la parte empotrada del horno.
- Se requiere un suministro eléctrico con conexión a tierra. Consulte la sección "Requisitos eléctricos".
- La caja de empalmes del suministro eléctrico debe estar como máximo a 3" (7,6 cm) por encima de la superficie de soporte cuando el horno se instale en un gabinete de pared. Se debe perforar un orificio de 1" (2,5 cm) de diámetro como mínimo en la esquina trasera derecha o izquierda de la superficie de soporte para pasar el cable del electrodoméstico a través de la caja de empalmes.
- La superficie de apoyo del horno debe ser maciza, estar nivelada y alineada con la parte inferior del recorte del gabinete.
- El piso debe poder soportar un peso del horno de 435 lb (197,3 kg) para los modelos de 30" (76,2 cm).
IMPORTANTE: Para evitar daños a los gabinetes, consulte al constructor o al distribuidor de los gabinetes para asegurarse de que los materiales empleados no cambien de color, no se desprenda el laminado ni sufran ningún otro tipo de daño. Este horno fue diseñado de acuerdo con los requisitos de UL y CSA International y cumple con las temperaturas máximas permitidas para gabinetes de madera de 194 °F (90 °C).
- En los modelos de horno simple y doble instalados encima de un cajón de calentamiento o para hornos instalados con gabinetes de instalación empotrada, debe instalarse un conjunto de deflector. Consulte la sección "Instalación del conjunto de deflector" del Manual del propietario para obtener más instrucciones.

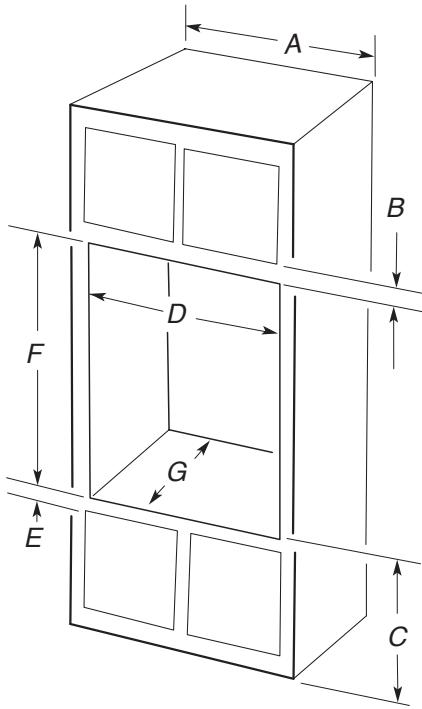
Dimensiones del producto - Hornos dobles, Instalación estándar



Modelos de 30" (76,2 cm)

- A. 52⁹/₁₆" (133,5 cm) de altura máxima total
- B. 28⁷/₁₆" (72,2 cm) de ancho empotrado máximo
- C. 48¹³/₁₆" (124,0 cm) de altura empotrada
- D. 23¹/₄" (59,1 cm) de profundidad empotrada máxima
- E. 29³/₄" (75,6 cm) de ancho total
- F. 12" (30,5 cm) de la parte trasera del panel de control al inicio del protector de cables
- G. 66" (167,6 cm) de longitud del conducto flexible

Hornos dobles instalados en gabinete



Modelos de 30" (76,2 cm)

- A. 30" (76,2 cm) ancho mínimo del gabinete
- B. 2³/₁₆" (5,5 cm) de la parte superior del recorte a la parte inferior de la puerta superior del gabinete
- C. Se recomiendan 14³/₄" (37,5 cm) de la parte inferior del recorte al piso.
7¹/₂"-14³/₄" (19 cm - 37,5 cm) de la parte inferior del recorte al piso es aceptable.
- D. 28¹/₂" (72,4 cm) de ancho mínimo de recorte
- E. 1¹/₂" (3,8 cm) mínimo de la parte inferior del recorte a la parte superior de la puerta del gabinete
- F. 50¹/₄" (127,6 cm)* de altura del recorte recomendado
- G. 24" (60,7 cm) de profundidad del recorte

*NOTA: La altura del recorte puede ser de entre 50" y 52³/₁₆" (127 cm y 132,6 cm) para los hornos dobles.

*NOTA: Comuníquese con servicio para obtener un protector alto para recortes mayores de 50³/₈" (128 cm) para mejorar la instalación.

Dimensiones del gabinete - Hornos dobles, instalación alineada

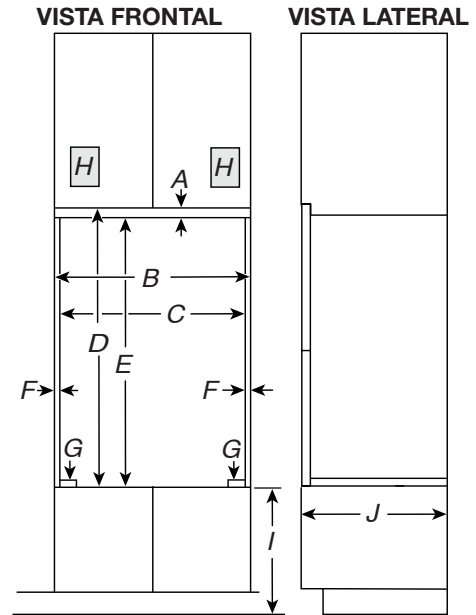
NOTA: Esta es una opción alternativa para instalar su producto en el gabinete y obtener una apariencia alineada. Para ver la instalación estándar, consulte la sección "Dimensiones del gabinete - Hornos dobles, instalación estándar".

NOTA: Para instalaciones empotradas, agregue el conjunto de deflector. Consulte la sección "Instalación del conjunto de deflector" del Manual del propietario para obtener más instrucciones.

Se requiere una profundidad de recorte mínima de 25" (63,5 cm).

Los espacios superior e inferior serán de 1/8" (0,3 cm) por encima y por debajo del producto. No se requieren espacios en la parte superior e inferior para la instalación. Las áreas expuestas del gabinete deben tener un acabado que coincida. La cara frontal de los tacos y la plataforma serán visibles y deben tratarse como superficie terminada.

Hornos dobles instalados en gabinete

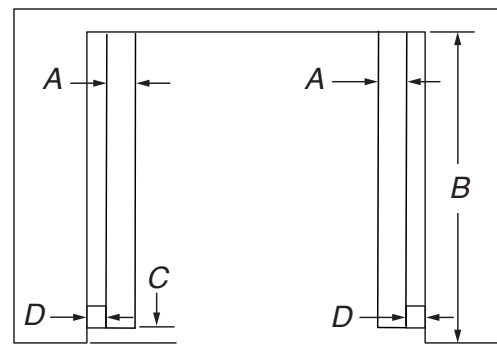


Modelos de 30" (76,2 cm)

- A. 3/4" (1,9 cm) taco superior*
- B. 30¹/₄" (76,8 cm) de ancho mínimo de recorte empotrado al ras
- C. 28⁷/₈" (73,3 cm) de ancho mínimo de apertura
- D. 53³/₁₆" (135,1 cm) de altura mínima de recorte empotrado al ras
- E. 52³/₈" (133,1 cm) de altura del recorte recomendado
- F. 11/16" (1,7 cm) taco lateral*
- G. 15/16" a 1¹/₁₆" (2,2 cm a 2,7 cm) recomendado, 1/4" (0,6 cm) permitido con una pata opcional.*
- H. Ubicación recomendada de la caja de empalmes
- I. 7¹/₂"-14³/₄" (19 cm a 37,5 cm) parte inferior del recorte al piso
- J. 25" (63,5 cm) de profundidad mínima de recorte

*Los tacos y espaciadores deben estar empotrados 1³/₈" (3,5 cm) desde el frente del gabinete.

Las patas están disponibles del servicio para aumentar la altura del producto para instalaciones donde se usaron recortes más altos.



VISTA SUPERIOR

Modelos de 30" (76,2 cm)

- A. 2" (5,1 cm) espaciador de toda la profundidad del recorte*
- B. 25" (63,5 cm) de profundidad de recorte
- C. 1³/₈" (3,5 cm) hueco del frente del gabinete
- D. 11/16" (1,7 cm) taco lateral*

*Los tacos y espaciadores deben estar empotrados 1³/₈" (3,5 cm) desde el frente del gabinete.

Requisitos eléctricos

⚠ ADVERTENCIA



Peligro de Choque Eléctrico

Desconecte el suministro de energía antes de realizar el servicio.

Conecte este aparato con conexión a tierra.

No seguir estas instrucciones puede causar la muerte, un incendio o una descarga eléctrica.

Si los códigos lo permiten y se emplea un cable de conexión a tierra separado, se recomienda que un instalador eléctrico competente determine si la ruta de conexión a tierra y el calibre del cable están de acuerdo con los códigos locales.

Si no está seguro de que la conexión a tierra del horno sea la adecuada, verifíquela con un instalador eléctrico competente.

Este horno debe estar conectado a un sistema de cableado de metal permanente, conectado a tierra.

Asegúrese de que la conexión eléctrica y el tamaño del cable sean adecuados y en conformidad con el National Electrical Code (Código Nacional Eléctrico), ANSI/NFPA 70, última edición, o las normas de CSA C22.1-94, Canadian Electrical Code (Código Canadiense de Electricidad), Parte 1 y C22.2 N.º O-M91, última edición, y todos los códigos y ordenanzas locales.

Puede obtener una copia de los códigos antes indicados en:

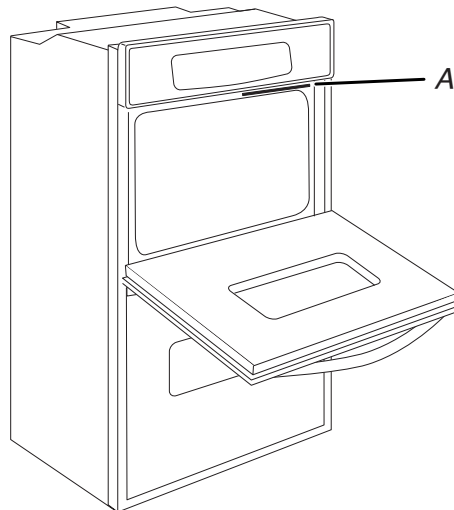
National Fire Protection Association
1 Batterymarch Park
Quincy, MA 02169-7471

CSA International
8501 East Pleasant Valley Road
Cleveland, OH 44131-5575

Conexión eléctrica

Para instalar el horno correctamente, se debe determinar el tipo de conexión eléctrica que se va a usar y seguir las instrucciones que aquí se proveen para el caso.

- El horno se debe conectar con la tensión y la frecuencia eléctricas correctas según se especifica en la placa de modelo/serie/valores nominales. La placa de modelo/serie/valores nominales está debajo del panel de control en los hornos simples y debajo del panel de control sobre la cavidad del horno superior en los hornos dobles. Vea la siguiente ilustración.



A. Placa de modelo/serie/valores nominales

- Los modelos clasificados entre 7,3 y 9,6 kW a 240 V (entre 5,4 y 7,4 kW a 208 V) requieren un circuito de 40 A separado. Los modelos clasificados a 4,8 kW o menos a 240 V (a 3,6 kW o menos a 208 V) requieren un circuito de 20 A separado.
- Se recomienda usar un disyuntor.
- Conecte el horno directamente a un cortacircuitos con fusible (o a una caja de cortacircuitos), a través de un cable flexible, blindado o con forro no metálico, de cobre (con alambre a tierra). Consulte la sección "Realizar la conexión del suministro eléctrico" en el Manual del propietario.
- El conducto flexible del horno deberá conectarse directamente a la caja de empalmes.
- Use fusibles a ambos lados de la línea.
- No corte el conducto. La longitud del conducto provisto es para permitir darle servicio al horno.
- Deberá proveerse un conector de conducto que esté en la lista de UL o aprobado por CSA.
- Si la casa tiene cableado de aluminio, siga el procedimiento a continuación:
Conecte el cableado de aluminio usando conectores especiales y/o herramientas diseñadas y de la lista de UL para unir el cobre al aluminio.
Siga el procedimiento recomendado por el fabricante del conector eléctrico. La conexión de cobre/aluminio deberá hacerse en conformidad con los códigos locales y las prácticas de cableado aceptadas por la industria.

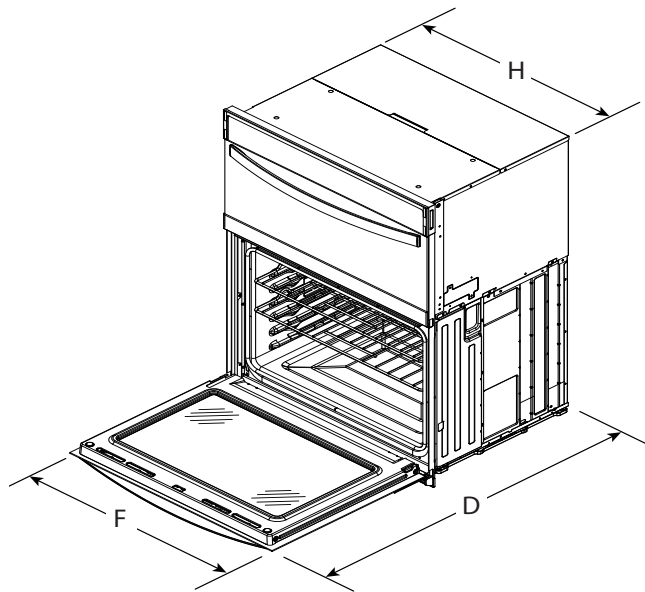
DIMENSION GUIDE

JENNAIR® ELECTRIC COMBO MICROWAVE/WALL OVEN

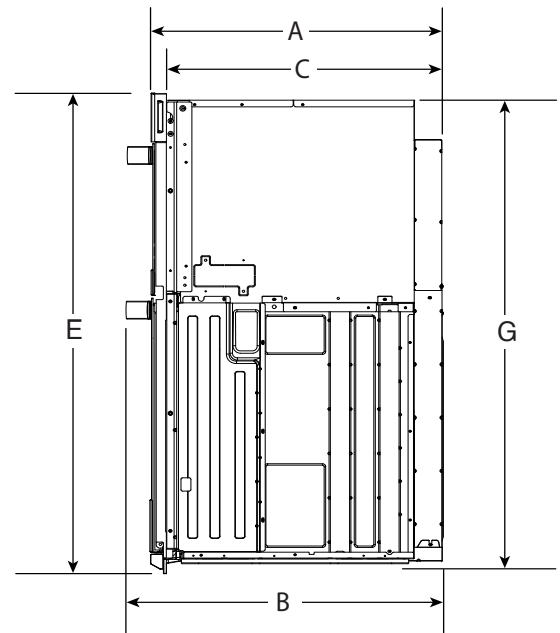
PRODUCT: JOECC530RL; JOECC530RM; JOECC730RL; JOECC730RM

APPLIANCE:		30" ELECTRIC COMBO MICROWAVE/WALL OVEN			
		JOECC530RL00; JOECC730RL00		JOECC530RM00; JOECC730RM00	
	Units	in	cm	in	cm
A	Depth Closed Excluding Handle (Flush Install)	24 ⁷ / ₁₆	62	24 ⁷ / ₁₆	62
B	Depth Closed Including Handle	27 ⁵ / ₁₆	69.3	26 ¹ / ₂	67.3
C	Depth to Back of Console (Standard Install)	23 ¹ / ₁₆	58.6	23 ¹ / ₁₆	58.6
D	Depth with Door Open 90°	46 ³ / ₁₆	117.3	46 ³ / ₈	117.1
E	Maximum Height (Including Console)	44 ³ / ₄	113.6	44 ³ / ₄	113.5
E	Minimum Height (Including Console)	42 ¹⁵ / ₁₆	109.1	42 ⁷ / ₈	109
F	Face Width	29 ³ / ₄	75.6	29 ³ / ₄	75.8
G	Maximum Height (Not Including Console)	43	109.2	43	109.2
G	Minimum Height (Not Including Console)	41 ¹ / ₈	104.4	41 ¹ / ₈	104.4
H	Recessed Width	28 ⁵ / ₁₆	71.9	28 ⁵ / ₁₆	71.9

Feet are available through Service to increase product height for installations where taller cutouts were used.



ANGLED VIEW



SIDE VIEW

IMPORTANT: Dimensional specifications are provided for planning purposes only. Do not make any cutouts based on this information. Refer to the Owner's Manual before selecting cabinetry, verifying electrical/gas connections, making cutouts or beginning installation.

Location Requirements

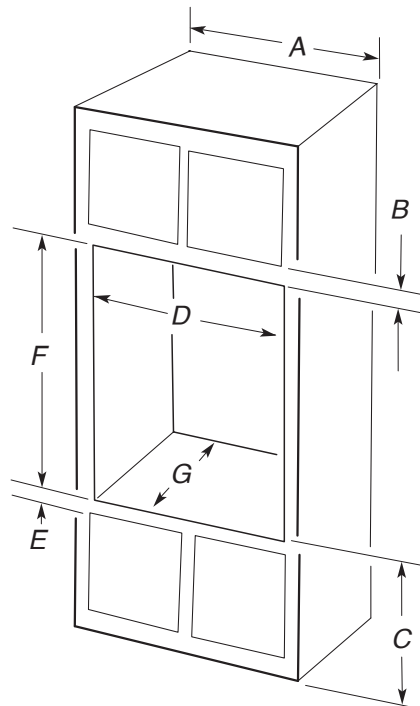
IMPORTANT: Observe all governing codes and ordinances.

- Cabinet opening dimensions that are shown must be used. Given dimensions provide minimum clearance with oven.
- Recessed installation area must provide complete enclosure around the recessed portion of the oven.
- Grounded electrical supply is required. See "Electrical Requirements" section.
- Electrical supply junction box should be located 3" (7.6 cm) maximum above the support surface when the oven is installed in a wall cabinet. A 1" (2.5 cm) minimum diameter hole should have been drilled in the right rear or left rear corner of the support surface to pass the appliance cable through to the junction box.
- Oven support surface must be solid, level, and flush with bottom of cabinet cutout. Floor must be able to support a total weight (microwave and built-in oven) of 350 lbs (158.7 kg) for 30" (76.2 cm) models.

IMPORTANT: To avoid damage to your cabinets, check with your builder or cabinet supplier to make sure that the materials used will not discolor, delaminate or sustain other damage. This oven has been designed in accordance with the requirements of UL and CSA International and complies with the maximum allowable wood cabinet temperatures of 194°F (90°C).

- For ovens installed using flush installation cabinetry, a deflector assembly must be installed. See "Install Deflector Assembly" section of the owner's manual for further instruction.

Cabinet Dimensions - Built-in Microwave/Oven Combination Standard Installation



30" (76.2 cm) models

- A. 30" (76.2 cm) minimum cabinet width
- B. 2¹/₄" (5.7 cm) top of cutout to bottom of upper cabinet door
- C. 19¹/₄" (48.9 cm) bottom of cutout to floor is recommended
7¹/₂"-19¹/₄" (19.1 cm-48.9 cm) bottom of cutout to floor is acceptable.
- D. 28¹/₂" (72.4 cm) minimum cutout width
- E. 1¹/₂" (3.8 cm) minimum bottom of cutout to top of cabinet door
- F. 41⁵/₁₆" (105 cm)* recommended cutout height
- G. 24" (60.7 cm) cutout depth

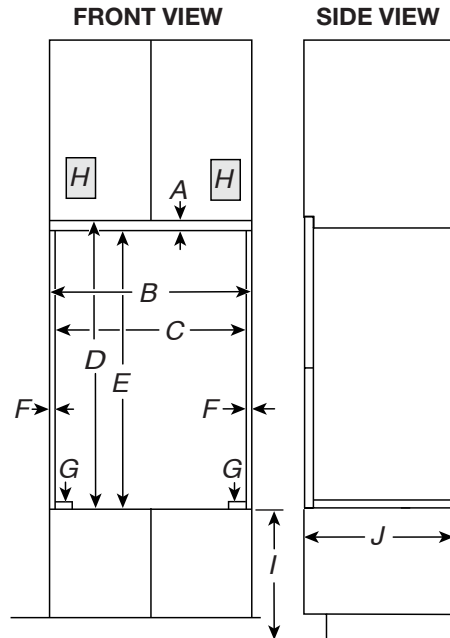
***NOTE:** The cutout height can be between 41¹/₈" (104.5 cm) and 41⁷/₈" (106.3 cm) for microwave/oven combination.

Flush Installation

A 25" (63.5 cm) minimum cutout depth is required.

These dimensions will result in a 1/4" (6 mm) reveal on the top, a 1/4" (6 mm) reveal on the sides, and a 1/8" (3 mm) reveal on the bottom of the wall oven.

The front face of the cleats and platform will be visible and should be treated as a finished surface.



30" (76.2 cm) models

- A. 3/4" (1.9 cm) top cleat*
- B. 30 1/4" (76.8 cm) minimum width of flush inset cutout**
- C. 28 7/8" (73.3 cm) minimum width of opening
- D. 44 5/16" (112.5 cm) minimum height of flush inset cutout
- E. 43 9/16" (110.6 cm) recommended cutout height
- F. 1 1/16" (1.7 cm) side cleat*
- G. 15/16" to 1 5/16" (2.3 cm to 3.5 cm) recommended, 1/4" (0.6 cm) allowable with optional foot.***
- H. Recommended junction box location.
- I. 7 1/2"-19 1/4" (19 cm-48.9 cm) bottom of cutout to floor
- J. 25" (63.5 cm) minimum depth of cutout

*Cleats and spacers must be recessed 1 3/8" (3.5 cm) from the front of the cabinet.

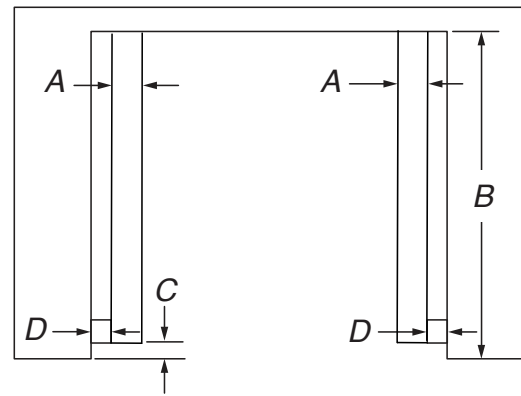
**These dimensions will lead to side gaps of 1/4" (0.6 cm).

***Top and bottom gaps will be 3/8" (0.9 cm) gap above the 1/8" (0.3 cm) gap below the product. Top and bottom gaps not required for installation. Expose areas of the cabinet should be finished to match.

Feet are available through Service to increase product height for installations where taller cutouts were used.

NOTE: This is an alternate option to install your product in the cabinet and obtain a flush look. For standard installation, refer section "Product Dimensions - Built-in Microwave/Oven Combination, Standard Installation."

NOTE: For flush installations add the deflector assembly. See "Install Deflector Assembly" section of the owner's manual for further instruction.



TOP VIEW

30" (76.2 cm) models

- A. 2" (5.1 cm) spacer the entire depth of the cutout*
- B. 25" (63.5 cm) depth of cutout
- C. 1 1/2" (3.8 cm) recess from front of cabinet
- D. 7/8" (2.2 cm) side cleat*

*Cleats and spacers must be recessed 1 3/8" (3.5 cm) from the front of the cabinet.

Electrical Requirements

⚠ WARNING



Electrical Shock Hazard

Disconnect power before servicing.

Electrically ground appliance.

Failure to do so can result in death, fire, or electrical shock.

If codes permit and a separate ground wire is used, it is recommended that a qualified electrical installer determine that the ground path and the wire gauge are in accordance with local codes.

Check with a qualified electrical installer if you are not sure the oven is properly grounded.

This oven must be connected to a grounded metal, permanent wiring system.

Be sure that the electrical connection and wire size are adequate and in conformance with the National Electrical Code, ANSI/NFPA 70-latest edition or CSA Standards C22.1-94, Canadian Electrical Code, Part 1 and C22.2 No. O-M91-latest edition, and all local codes and ordinances.

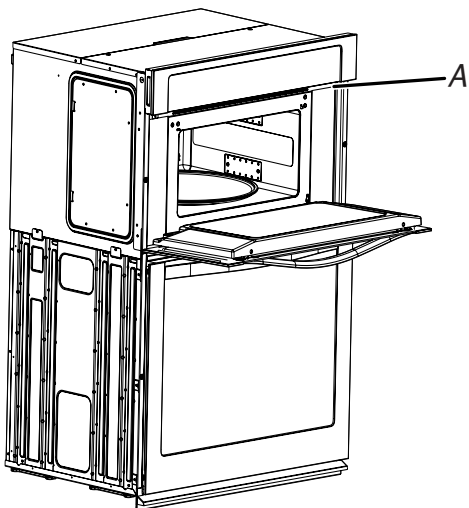
DIMENSION GUIDE

A copy of the above code standards can be obtained from:
National Fire Protection Association
1 Batterymarch Park
Quincy, MA 02169-7471
CSA International
8501 East Pleasant Valley Road
Cleveland, OH 44131-5575.

Electrical Connection

To properly install your oven, you must determine the type of electrical connection you will be using and follow the instructions provided for it here.

- Oven must be connected to the proper electrical voltage and frequency as specified on the model/serial/rating plate. The model/serial/rating plate is located under the control panel on single ovens and under the control panel on the upper oven cavity on double ovens. See the following illustration.



A. Model/serial/rating plate

- Models rated from 7.3 to 9.6 kW at 240 V (5.4 to 7.4 kW at 208 V) require a separate 40 A circuit. Models rated at 4.8 kW and below at 240 V (3.6 kW and below at 208 V) require a separate 20 A circuit.
- A circuit breaker is recommended.
- Connect directly to the fused disconnect (or circuit breaker box) through flexible, armored or nonmetallic sheathed, copper cable (with grounding wire). See the "Make Electrical Connection" section in the Owner's Manual.
- Flexible conduit from the oven should be connected directly to the junction box.
- Fuse both sides of the line.
- Do not cut the conduit. The length of conduit provided is for serviceability of the oven.
- A UL listed or CSA-approved conduit connector must be provided.

- If the house has aluminum wiring, follow the procedure below:

Connect the aluminum wiring using special connectors and/or tools designed and UL listed for joining copper to aluminum.

Follow the electrical connector manufacturer's recommended procedure. Aluminum/copper connection must conform with local codes and industry-accepted wiring practices.

Be sure that the electrical connection and wire size are adequate and in conformance with the National Electrical Code, ANSI/NFPA 70-latest edition or CSA Standards C22.1-94, Canadian Electrical Code, Part 1 and C22.2 No. O-M91-latest edition, and all local codes and ordinances.

A copy of the above code standards can be obtained from:

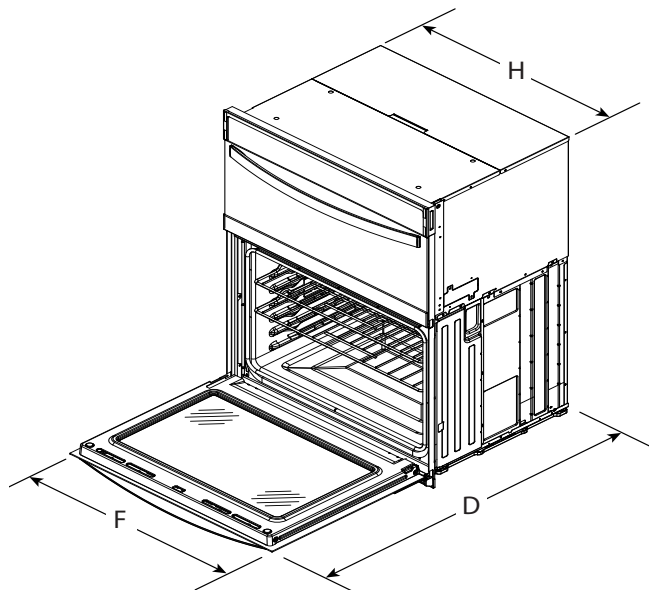
National Fire Protection Association
1 Batterymarch Park
Quincy, MA 02169-7471

CSA International
8501 East Pleasant Valley Road
Cleveland, OH 44131-5575.

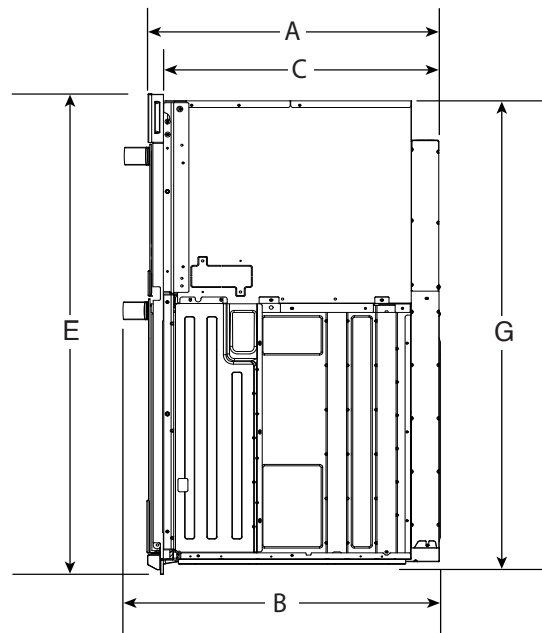
FOUR COMBINÉ ENCASTRÉ/FOUR À MICRO-ONDES ÉLECTRIQUE JENNAIR®
 PRODUIT : JOECC530RL; JOECC530RM; JOECC730RL; JOECC730RM

APPAREIL :		FOUR COMBINÉ ENCASTRÉ/FOUR À MICRO-ONDES ÉLECTRIQUE 30 PO			
		JOECC530RL00; JOECC730RL00		JOECC530RM00; JOECC730RM00	
Unités		po	cm	po	cm
A	Profondeur, fermé sans poignée (en affleurement)	24 ⁷ / ₁₆	62	24 ⁷ / ₁₆	62
B	Profondeur, fermée avec poignée	27 ⁵ / ₁₆	69,3	26 ¹ / ₂	67,3
C	Profondeur jusqu'à l'arrière de la console (installation standard)	23 ¹ / ₁₆	58,6	23 ¹ / ₁₆	58,6
D	Profondeur avec porte ouverte 90°	46 ³ / ₁₆	117,3	46 ¹ / ₈	117,1
E	Hauteur maximum (incluant la console)	44 ³ / ₄	113,6	44 ³ / ₄	113,5
E	Hauteur minimum (incluant la console)	42 ¹⁵ / ₁₆	109,1	42 ⁷ / ₈	109
F	Largeur de l'avant	29 ³ / ₄	75,6	29 ³ / ₄	75,8
G	Hauteur maximum (sans la console)	43	109,2	43	109,2
G	Hauteur minimum (sans la console)	41 ¹ / ₈	104,4	41 ¹ / ₈	104,4
H	Largeur d'encastrement	28 ⁵ / ₁₆	71,9	28 ⁵ / ₁₆	71,9

Des pieds sont disponibles auprès du service après-vente afin d'augmenter la hauteur du produit pour les installations où des découpes plus hautes ont été utilisées.



VUE EN ANGLE



VUE LATÉRALE

IMPORTANT : Les spécifications dimensionnelles sont fournies uniquement à des fins de planification.
N'aménager aucune ouverture sur la base de cette information. Se référer au manuel de l'utilisateur avant de choisir une armoire, de vérifier les connexions électriques/au gaz, d'effectuer des découpes ou de commencer l'installation.

Exigences d'emplacement

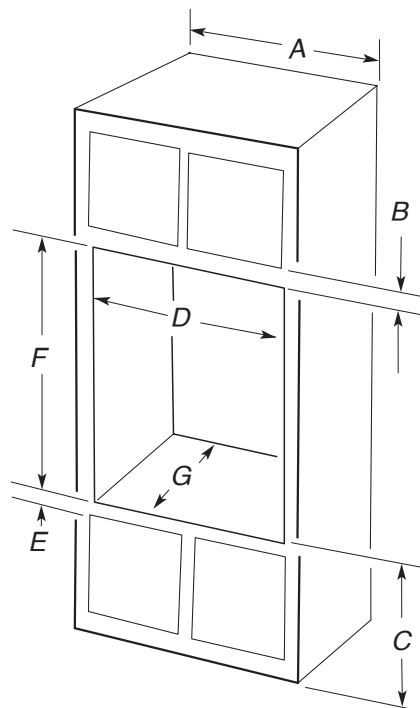
IMPORTANT : Observer les dispositions de tous les codes et règlements en vigueur.

- Les dimensions d'ouverture de l'armoire indiquées doivent être utilisées. Ces dimensions tiennent compte des dégagements de séparation nécessaires pour le four.
- L'espace d'installation dans un encastrement doit permettre la formation d'une enceinte complète autour de la partie encastrée du four.
- Une source d'électricité avec liaison à la terre est nécessaire. Voir la section « Spécifications Électriques ».
- Le boîtier de raccordement doit être situé à moins de 3 po (7,6 cm) au-dessus de la surface de support lorsque le four est installé dans une armoire. Un trou d'un diamètre de 1 po (2,5 cm) ou plus doit avoir été percé dans l'angle arrière gauche ou droit de la surface de support pour le passage du câble d'alimentation de l'appareil jusqu'au boîtier de connexion.
- La surface de support du four doit être robuste, horizontale et en affleurement avec le bas de l'ouverture découpée dans l'armoire. Pour un modèle de four/four à micro-ondes encastré de 30 po (76,2 cm), le plancher doit être capable de supporter un poids total de 350 lb (158,7 kg).

IMPORTANT : Pour éviter d'endommager vos armoires, vérifier avec le fabricant ou le fournisseur d'armoires pour s'assurer que les matériaux utilisés ne décoloreront et ne délamineront pas ou ne subiront pas d'autres dommages. Ce four a été conçu conformément aux exigences des normes UL et CSA International et respecte les températures maximales permises de 194 °F (90 °C) pour les armoires en bois.

- Pour les fours encastrés dans des armoires, un déflecteur doit être installé. Voir la section « Installation de l'assemblage du déflecteur » du manuel de l'utilisateur pour obtenir plus d'informations.

Dimensions de l'armoire – Ensemble four électrique/four à micro-ondes encastré Installation standard



Modèles de 30 po (76,2 cm)

- A. Largeur minimum de l'armoire : 30 po (76,2 cm)
- B. Du sommet de la découpe au bas de la porte de l'armoire supérieure : 2 1/4 po (5,7 cm)
- C. Une distance de 19 1/4 po (48,9 cm) entre le bas de l'ouverture et le plancher est recommandée. une distance de 7 1/2 po à 19 1/4 po (19,1 cm à 48,9 cm) entre le bas de l'ouverture et le plancher est acceptable.
- D. 28 1/2 po (72,4 cm) de largeur minimum pour l'ouverture découpée
- E. Du fond de l'ouverture au dessus de la porte de l'armoire : 1 1/2 po (3,8 cm) min.
- F. Hauteur recommandée de la découpe : 41 5/16 po (105 cm)*
- G. Profondeur de découpe : 24 po (60,7 cm)

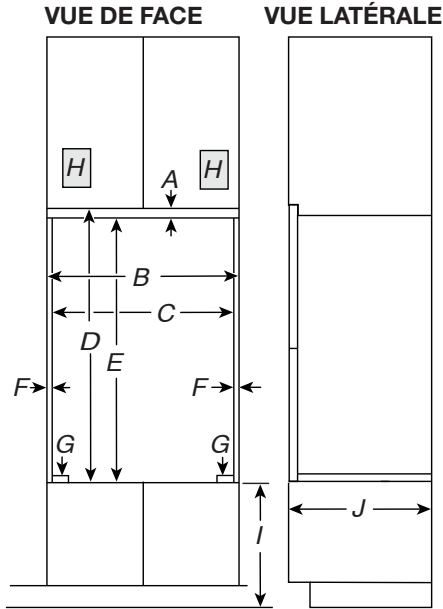
***REMARQUE :** Pour l'ensemble four à micro-ondes/four, la hauteur de la découpe peut être comprise entre 41 1/8 po (104,5 cm) et 41 7/8 po (106,3 cm).

Installation en affleurement

Une découpe de 25 po (63,5 cm) minimum est requise.

Ces dimensions donneront un dégagement de 1/4 po (6 mm) au sommet, un dégagement de 1/4 po (6 mm) sur les côtés et un dégagement de 1/8 po (3 mm) au bas du four encastré.

Le côté avant des tasseaux et plates-formes sera visible et doit être traité comme une surface de finition.



Modèles de 30 po (76,2 cm)

- A. Tasseau supérieur de 3/4 po (1,9 cm)*
- B. Largeur minimale de l'ouverture intégrée en affleurement : 30 1/4 po (76,8 cm)**
- C. Largeur minimum de l'ouverture : 28 7/8 po (73,3 cm)
- D. Hauteur minimale de l'ouverture intégrée en affleurement : 44 5/16 po (112,5 cm)
- E. Hauteur recommandée de la découpe : 43 9/16 po (110,6 cm)
- F. Tasseau latéral de 11/16 po (1,7 cm)*
- G. Dimension recommandée de 15/16 po à 1 5/16 po (2,3 cm à 3,5 cm), 1/4 po (0,6 cm) permis avec les pieds en option.***
- H. Emplacement recommandé pour la boîte de jonction.
- I. 7 1/2 po à 19 1/4 po (19 cm à 48,9 cm) du fond de la découpe au plancher
- J. Profondeur minimum de la découpe : 25 po (63,5 cm)

*Les tasseaux et les cales d'espacement doivent être encastrés à 1 3/8 po (3,5 cm) depuis l'avant de l'armoire.

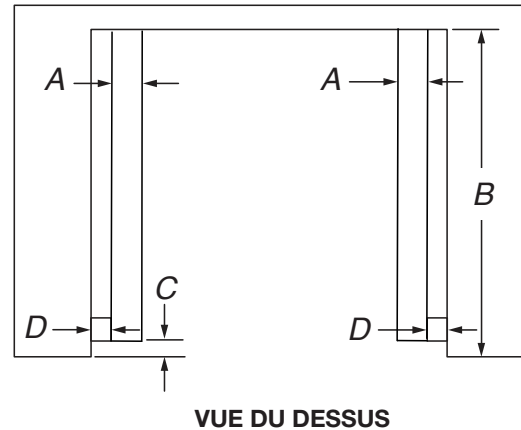
**Ces dimensions entraîneront des écarts latéraux de 1/4 po (0,6 cm).

***Les écarts supérieur et inférieur seront de 3/8 po (0,9 cm) au-dessus de l'espace de 1/8 po (0,3 cm) au-dessous du produit. Les écarts supérieurs et inférieurs ne sont pas nécessaires pour l'installation. Les zones exposées de l'armoire doivent être revêtues d'un fini pour correspondre.

Des pieds sont disponibles auprès du service après-vente afin d'augmenter la hauteur du produit pour les installations où des découpes plus hautes ont été utilisées.

REMARQUE : Il s'agit d'un choix alternatif pour installer votre produit dans une armoire et obtenir un style en affleurement. Pour une installation standard, voir la section « Dimensions du produit – Ensemble four électrique/four à micro-ondes encastré Installation standard ».

REMARQUE : Pour les installations encastrées, ajouter le déflecteur. Voir la section « Installation de l'assemblage du déflecteur » du manuel de l'utilisateur pour obtenir plus d'informations.



Modèles de 30 po (76,2 cm)

- A. Cale d'espacement de 2 po (5,1 cm) sur la profondeur totale de l'ouverture*
- B. Profondeur de la découpe : 25 po (63,5 cm)
- C. Encastrement à partir de l'avant de l'armoire : 1 1/2 po (3,8 cm)
- D. Tasseau latéral de 7/8 po (2,2 cm)*

*Les tasseaux et les cales d'espacement doivent être encastrés à 1 3/8 po (3,5 cm) depuis l'avant de l'armoire.

Spécifications électriques

⚠ AVERTISSEMENT

Risque de Décharge Électrique

Déconnecter la source de courant électrique avant l'entretien.

Appareil relié à la terre.

Le non-respect de ces instructions peut causer un décès, un incendie ou une décharge électrique.

Si on utilise un conducteur distinct de liaison à la terre et lorsque les codes le permettent, il est recommandé qu'un électricien qualifié vérifie que la liaison à la terre et le calibre des fils sont conformes aux codes locaux.

En cas de doute quant à la qualité de la liaison à la terre du four, consulter un électricien qualifié.

Ce four doit être raccordé à un système permanent, métallique de câblage relié à la terre.

S'assurer que la connexion électrique et le calibre des fils sont appropriés et conformes au National Electrical Code, aux normes ANSI/NFPA 70 – dernière édition, ou aux normes CSA C22.1-94, au Code canadien de l'électricité, Partie 1 et C22.2 No O-M91 – dernière édition, et à tous les codes et règlements locaux.

Pour obtenir un exemplaire des normes des codes ci-dessus, contacter :

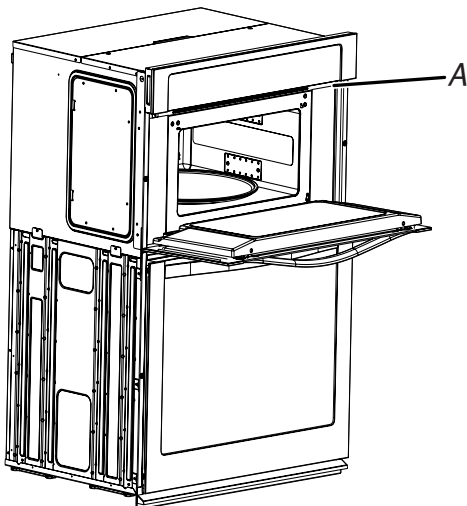
National Fire Protection Association
1 Batterymarch Park
Quincy, MA 02169-7471

CSA International
8501 East Pleasant Valley Road
Cleveland, OH 44131-5575.

Raccordement électrique

Pour installer le four de façon appropriée, il faut établir le type de raccords électriques qui sera utilisé et suivre les instructions de ce document.

- Le four doit être alimenté par une source d'électricité et une tension appropriées, comme spécifié sur la plaque signalétique. La plaque signalétique du numéro de modèle et de série est située sous le panneau de configuration sur les fours simples et sous le panneau de configuration sur la cavité supérieure du four sur les fours doubles. Voir l'illustration suivante.



A. Plaque signalétique du numéro de modèle et de série

- Les modèles à 240 V de 7,3 à 9,6 kW (208 V de 5,4 à 7,4 kW) doivent être alimentés par un circuit indépendant de 40 A. Les modèles à 240 V de 4,8 kW ou moins (208 V de 3,6 kW ou moins) doivent être alimentés par un circuit indépendant de 20 A.
- L'emploi d'un disjoncteur est recommandé.
- Raccorder l'appareil directement au tableau de distribution par un câble à conducteur de cuivre et gaine métallique flexible ou gaine non métallique (avec conducteur de liaison à la terre). Consulter la section « Raccordement électrique » du manuel de l'utilisateur.
- Le câble flexible du four doit être connecté directement dans le boîtier de connexion.
- Installer un fusible aux deux extrémités de la ligne.
- Ne pas couper le conduit. La longueur du conduit fournie est destinée à faciliter l'entretien du four.
- L'installateur doit fournir un connecteur de conduit (homologation UL ou CSA).

- Si le domicile possède un câblage en aluminium, suivre la procédure ci-dessous :

Connecter le câblage en aluminium en utilisant des capuchons ou des outils spécialement conçus et homologués UL pour raccorder le cuivre à l'aluminium.

Suivre la procédure recommandée par le fabricant de connecteurs électriques. Les raccordements aluminium/cuivre doivent satisfaire aux prescriptions des codes locaux et de l'industrie, et être conformes aux pratiques de câblage reconnues.

S'assurer que la connexion électrique et le calibre des fils sont appropriés et conformes au National Electrical Code, aux normes ANSI/NFPA 70 – dernière édition, ou aux normes CSA C22.1-94, au Code canadien de l'électricité, Partie 1 et C22.2 No O-M91 – dernière édition, et à tous les codes et règlements locaux.

Pour obtenir un exemplaire des normes des codes ci-dessus, contacter :

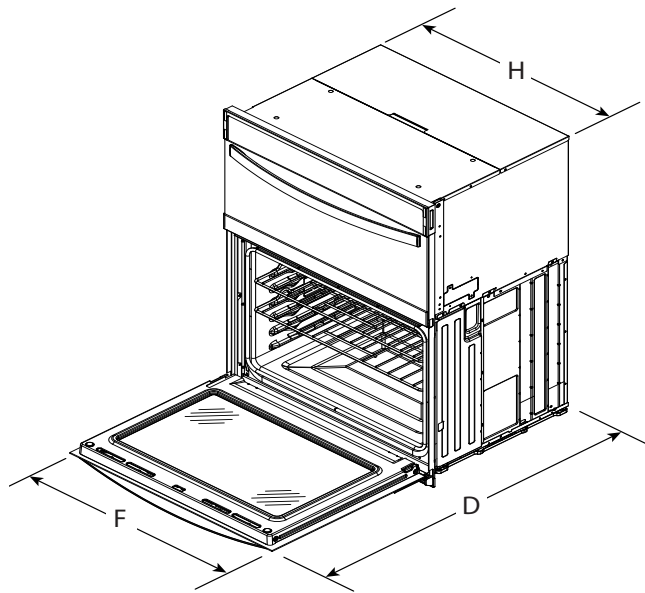
National Fire Protection Association
1 Batterymarch Park
Quincy, MA 02169-7471

CSA International
8501 East Pleasant Valley Road
Cleveland, OH 44131-5575.

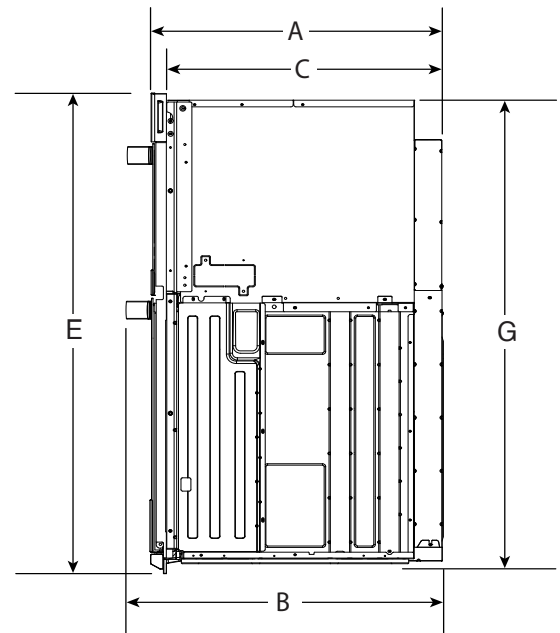
HORNO ELÉCTRICO DE PARED/MICROONDAS COMBINADO JENNAIR®
 PRODUCTO: JOECC530RL; JOECC530RM; JOECC730RL; JOECC730RM

ELECTRODOMÉSTICO:		HORNO ELÉCTRICO DE PARED/MICROONDAS COMBINADO DE 30"			
		JOECC530RL00; JOECC730RL00		JOECC530RM00; JOECC730RM00	
Unidades		pulg.	cm	pulg.	cm
A	Profundidad del producto cerrado sin las manijas (instalación enrasada)	24 ⁷ / ₁₆	62	24 ⁷ / ₁₆	62
B	Profundidad del producto cerrado con las manijas	27 ⁵ / ₁₆	69,3	26 ¹ / ₂	67,3
C	Profundidad hasta parte posterior de la consola (instalación estándar)	23 ³ / ₁₆	58,6	23 ³ / ₁₆	58,6
D	Profundidad con puerta abierta 90°	46 ³ / ₁₆	117,3	46 ¹ / ₈	117,1
E	Altura máxima (incluida la consola)	44 ³ / ₄	113,6	44 ³ / ₄	113,5
E	Altura mínima (incluida la consola)	42 ¹⁵ / ₁₆	109,1	42 ⁷ / ₈	109
F	Ancho de frente	29 ³ / ₄	75,6	29 ³ / ₄	75,8
G	Altura máxima (sin incluir la consola)	43	109,2	43	109,2
G	Altura mínima (sin incluir la consola)	41 ¹ / ₈	104,4	41 ¹ / ₈	104,4
H	Ancho empotrado	28 ⁵ / ₁₆	71,9	28 ⁵ / ₁₆	71,9

Las patas están disponibles del servicio para aumentar la altura del producto para instalaciones donde se usaron recortes más altos.



VISTA EN ÁNGULO



VISTA LATERAL

IMPORTANTE: Las especificaciones de medidas son solo para fines de planificación.
No realice ningún corte basado en esta información. Consulte el Manual del propietario antes de la selección de gabinetes, verificar las conexiones eléctricas/de gas, realizar cortes o iniciar la instalación.

Requisitos de ubicación

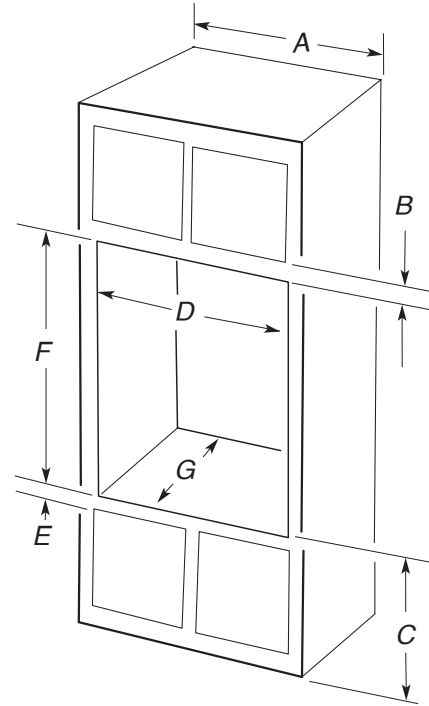
IMPORTANTE: Respete todas las normativas y reglamentos vigentes.

- Deben usarse las dimensiones de la abertura del gabinete que se muestran. Las dimensiones dadas proveen un espacio mínimo, incluyendo el horno.
- El área de instalación empotrada debe estar completamente cerrada alrededor de la parte empotrada del horno.
- Se requiere un suministro eléctrico con conexión a tierra. Consulte la sección "Requisitos eléctricos".
- La caja de empalmes del suministro eléctrico debe estar como máximo a 3" (7,6 cm) por encima de la superficie de soporte cuando el horno se instale en un gabinete de pared. Se debe perforar un orificio de 1" (2,5 cm) de diámetro como mínimo en la esquina trasera derecha o izquierda de la superficie de soporte para pasar el cable del electrodoméstico a través de la caja de empalmes.
- La superficie de apoyo del horno debe ser maciza, estar nivelada y alineada con la parte inferior del recorte del gabinete. El piso debe poder soportar un peso total (microondas y horno empotrado) de 158,7 kg (350 lb) para los modelos de 76,2 cm (30").

IMPORTANTE: Para evitar daños a los gabinetes, consulte al constructor o al distribuidor de los gabinetes para asegurarse de que los materiales empleados no cambien de color, no se desprenda el laminado ni sufran ningún otro tipo de daño. Este horno fue diseñado de acuerdo con los requisitos de UL y CSA International y cumple con las temperaturas máximas permitidas para gabinetes de madera de 194 °F (90 °C).

- Para los hornos instalados con gabinetes de instalación empotrada, se debe instalar un conjunto de deflector. Consulte la sección "Instalación del conjunto de deflector" del Manual del propietario para obtener más instrucciones.

Dimensiones del gabinete - Combinación microondas/horno empotrado Instalación estándar



Modelos de 30" (76,2 cm)

- A. 30" (76,2 cm) ancho mínimo del gabinete
- B. 2 1/4" (5,7 cm) de la parte superior del recorte a la parte inferior de la puerta superior del gabinete
- C. 19 1/4" (48,9 cm) de la parte inferior del recorte al piso es recomendable
7 1/2"-19 1/4" (19,1 cm-48,9 cm) de la parte inferior del recorte al piso es aceptable.
- D. 28 1/2" (72,4 cm) de ancho mínimo de recorte
- E. 1 1/2" (3,8 cm) mínimo de la parte inferior del recorte a la parte superior de la puerta del gabinete
- F. 41 5/16" (105 cm)* de altura del recorte recomendado
- G. 24" (60,7 cm) de profundidad del recorte

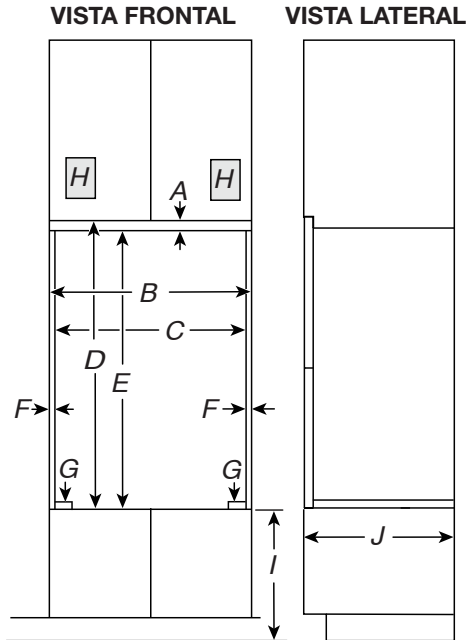
***NOTA:** La altura del recorte puede estar comprendida entre 41 1/8" (104,5 cm) y 41 7/8" (106,3 cm) para la combinación microondas/horno.

Instalación empotrada

Se requiere una profundidad de recorte mínima de 25" (63,5 cm).

Estas dimensiones resultarán en una mocheta de 1/4" (6 mm) en la parte superior, una mocheta de 1/4" (6 mm) en los lados y otra de 1/8" (3 mm) en la parte inferior del horno de pared.

La cara frontal de los tacos y la plataforma serán visibles y deben tratarse como superficie terminada.



Modelos de 30" (76,2 cm)

- A. 3/4" (1,9 cm) taco superior*
- B. 30 1/4" (76,8 cm) de ancho mínimo de recorte empotrado al ras**
- C. 28 7/8" (73,3 cm) de ancho mínimo de apertura
- D. 44 5/16" (112,5 cm) de altura mínima de recorte empotrado al ras
- E. 43 9/16" (110,6 cm) de altura del recorte recomendado
- F. 11/16" (1,7 cm) taco lateral*
- G. 15/16" a 1 5/16" (2,3 cm a 3,5 cm) recomendado, 1/4" (0,6 cm) permitido con una pata opcional.***
- H. Ubicación recomendada de la caja de empalmes.
- I. 7 1/2"-19 1/4" (19 cm-48,9 cm) parte inferior del recorte al piso
- J. 25" (63,5 cm) de profundidad mínima de recorte

*Los tacos y espaciadores deben estar empotrados 1 3/8" (3,5 cm) desde el frente del gabinete.

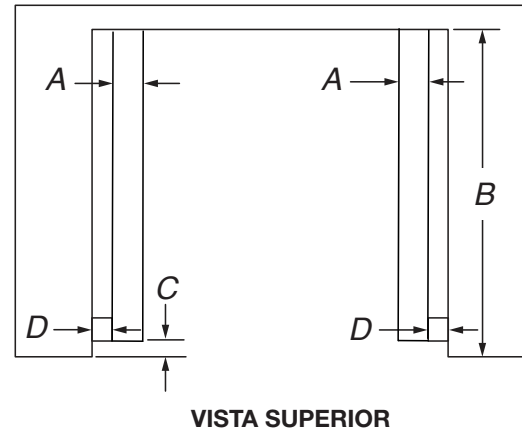
**Estas dimensiones darán lugar a huecos laterales de 1/4" (0,6 cm).

***Los huecos superior e inferior serán de 3/8" (0,9 cm) por encima del hueco de 1/8" (0,3 cm) por debajo del producto. No se requieren espacios en la parte superior e inferior para la instalación. Las áreas expuestas del gabinete deben tener un acabado que coincida.

Las patas están disponibles del servicio para aumentar la altura del producto para instalaciones donde se usaron recortes más altos.

NOTA: Esta es una opción alternativa para instalar su producto en el gabinete y obtener una apariencia alineada. Para la instalación estándar, consulte la sección "Dimensiones del producto - Combinación microondas/horno empotrado, Instalación estándar".

NOTA: Para instalaciones empotradas, agregue el conjunto de deflector. Consulte la sección "Instalación del conjunto de deflector" del Manual del propietario para obtener más instrucciones.



Modelos de 30" (76,2 cm)

- A. 2" (5,1 cm) espaciador de toda la profundidad del recorte*
- B. 25" (63,5 cm) de profundidad de recorte
- C. 1 1/2" (3,8 cm) hueco del frente del gabinete
- D. 7/8" (2,2 cm) taco lateral*

*Los tacos y espaciadores deben estar empotrados 1 3/8" (3,5 cm) desde el frente del gabinete.

Requisitos eléctricos

⚠ ADVERTENCIA



Peligro de Choque Eléctrico

Desconecte el suministro de energía antes de realizar el servicio.

Conecte este aparato con conexión a tierra.

No seguir estas instrucciones puede causar la muerte, un incendio o una descarga eléctrica.

Si los códigos lo permiten y se emplea un cable de conexión a tierra separado, se recomienda que un instalador eléctrico competente determine si la ruta de conexión a tierra y el calibre del cable están de acuerdo con los códigos locales.

Si no está seguro de que la conexión a tierra del horno sea la adecuada, verifíquela con un instalador eléctrico competente.

Este horno debe estar conectado a un sistema de cableado de metal permanente, conectado a tierra.

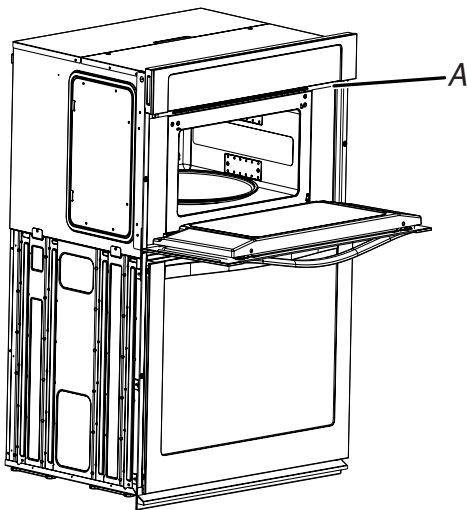
Asegúrese de que la conexión eléctrica y el tamaño del cable sean adecuados y en conformidad con el National Electrical Code (Código Nacional Eléctrico), ANSI/NFPA 70, última edición, o las normas de CSA C22.1-94, Canadian Electrical Code (Código Canadiense de Electricidad), Parte 1 y C22.2 N.º O-M91, última edición, y todos los códigos y ordenanzas locales.

Puede obtener una copia de los códigos antes indicados en:
 National Fire Protection Association
 1 Batterymarch Park
 Quincy, MA 02169-7471
 CSA International
 8501 East Pleasant Valley Road
 Cleveland, OH 44131-5575.

Conexión eléctrica

Para instalar el horno correctamente, se debe determinar el tipo de conexión eléctrica que se va a usar y seguir las instrucciones que aquí se proveen para el caso.

- El horno se debe conectar con la tensión y la frecuencia eléctricas correctas según se especifica en la placa de modelo/serie/valores nominales. La placa de modelo/serie/valores nominales está debajo del panel de control en los hornos simples y debajo del panel de control sobre la cavidad del horno superior en los hornos dobles. Vea la siguiente ilustración.



A. Placa de modelo/serie/valores nominales

- Los modelos clasificados entre 7,3 y 9,6 kW a 240 V (entre 5,4 y 7,4 kW a 208 V) requieren un circuito de 40 A separado. Los modelos clasificados a 4,8 kW o menos a 240 V (a 3,6 kW o menos a 208 V) requieren un circuito de 20 A separado.
- Se recomienda usar un disyuntor.
- Conecte el horno directamente a un cortacircuitos con fusible (o a una caja de cortacircuitos), a través de un cable flexible, blindado o con forro no metálico, de cobre (con alambre a tierra). Consulte la sección “Realizar la conexión del suministro eléctrico” en el Manual del propietario.
- El conducto flexible del horno deberá conectarse directamente a la caja de empalmes.
- Use fusibles a ambos lados de la línea.
- No corte el conducto. La longitud del conducto provisto es para permitir darle servicio al horno.
- Deberá proveerse un conector de conducto que esté en la lista de UL o aprobado por CSA.

- Si la casa tiene cableado de aluminio, siga el procedimiento a continuación:

Conecte el cableado de aluminio usando conectores especiales y/o herramientas diseñadas y de la lista de UL para unir el cobre al aluminio.

Siga el procedimiento recomendado por el fabricante del conector eléctrico. La conexión de cobre/aluminio deberá hacerse en conformidad con los códigos locales y las prácticas de cableado aceptadas por la industria.

Asegúrese de que la conexión eléctrica y el tamaño del cable sean adecuados y en conformidad con el National Electrical Code (Código Nacional Eléctrico), ANSI/NFPA 70, última edición, o las normas de CSA C22.1-94, Canadian Electrical Code (Código Canadiense de Electricidad), Parte 1 y C22.2 N.º O-M91, última edición, y todos los códigos y ordenanzas locales.

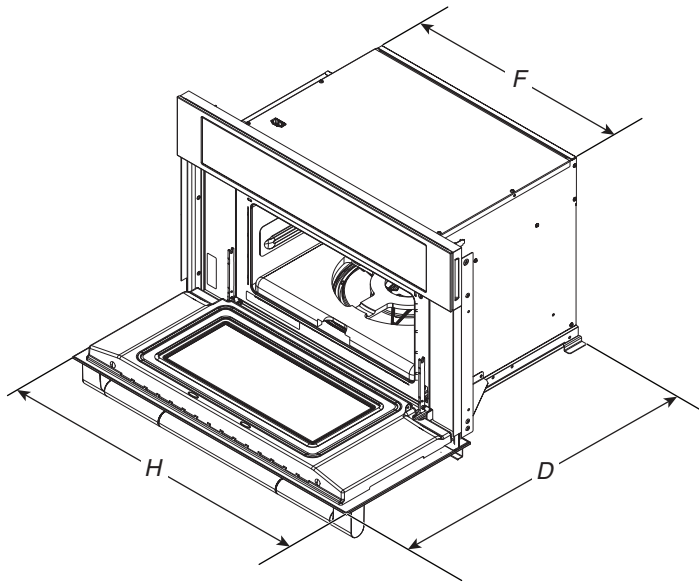
Puede obtener una copia de los códigos antes indicados en:

National Fire Protection Association
 1 Batterymarch Park
 Quincy, MA 02169-7471
 CSA International
 8501 East Pleasant Valley Road
 Cleveland, OH 44131-5575.

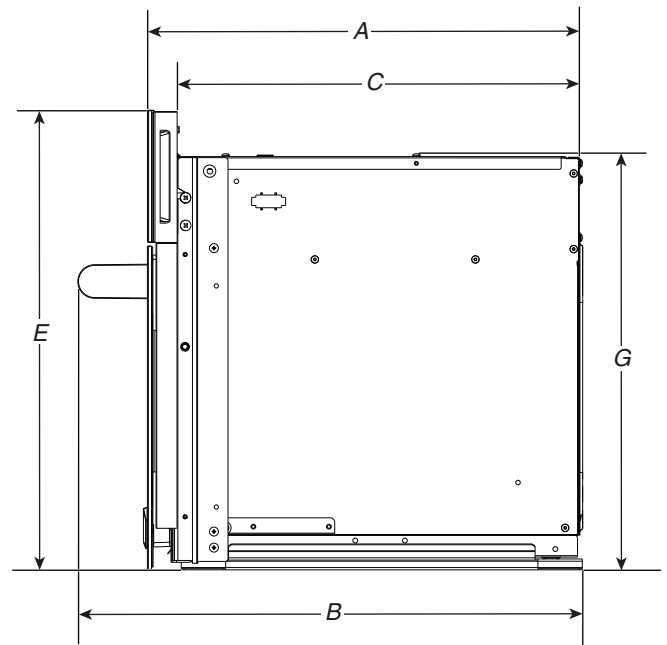
DIMENSION GUIDE

JENNAIR® DEDICATED MICROWAVE/WALL OVEN PRODUCT: JOEMC130RL; JOEMC130RM

APPLIANCE:		30" DEDICATED MICROWAVE/WALL OVEN			
		JOEMC130RL00		JOEMC130RM00	
	Units	in	cm	in	cm
A	Depth Closed Excluding Handle (Flush Install)	22 ³ / ₄	57.8	22 ³ / ₄	57.8
B	Depth Closed Including Handle	25 ⁵ / ₈	65	24 ¹³ / ₁₆	63
C	Depth to Back of Console (Standard Install)	21 ¹ / ₂	54.5	21 ¹ / ₂	54.5
D	Depth with Door Open 90°	35 ⁷ / ₁₆	90	35 ⁷ / ₁₆	90
E	Maximum Height (Including Console)	21	53.2	21	53.2
E	Minimum Height (Including Console)	18 ³ / ₄	47.5	18 ³ / ₄	47.5
F	Face Width	29 ¹³ / ₁₆	75.6	29 ⁷ / ₈	75.8
G	Maximum Height (Not Including Console)	17 ¹ / ₄	43.7	17 ¹ / ₄	43.7
G	Minimum Height (Not Including Console)	16 ¹³ / ₁₆	42.6	16 ¹³ / ₁₆	42.6
H	Recessed Width	NA	NA	NA	NA



ANGLED VIEW



SIDE VIEW

IMPORTANT: Dimensional specifications are provided for planning purposes only. Do not make any cutouts based on this information. Refer to the Owner's Manual before selecting cabinetry, verifying electrical/gas connections, making cutouts or beginning installation.

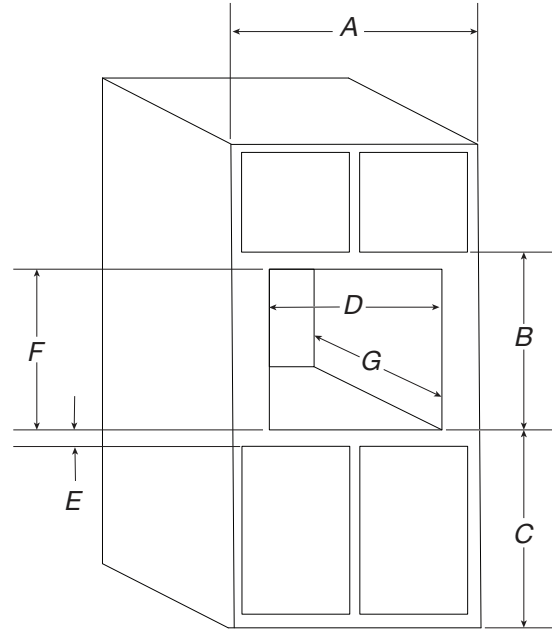
Location Requirements

IMPORTANT: Observe all governing codes and ordinances.

- Cabinet opening dimensions that are shown must be used. Given dimensions provide minimum clearance with oven.
- Recessed installation area must provide complete enclosure around the recessed portion of the oven.
- Grounded electrical supply is required. See “Electrical Requirements” section.
- Electrical supply junction box should be located 3" (7.6 cm) maximum below the support surface when the oven is installed in a wall cabinet. A 1" (2.5 cm) minimum diameter hole should have been drilled in the right rear or left rear corner of the support surface to pass the appliance cable through to the junction box.
- For installation above a single built-in oven, the junction box must be located inside upper cabinet.
- If you are installing the junction box on rear wall behind the microwave oven, the junction box must be recessed and located in the upper or lower right or left corner of the cabinet; otherwise, the microwave oven will not fit into the cabinet opening.
- Microwave oven support surface must be solid, level, and flush with bottom of cabinet cutout. Floor must be able to support a weight of 115 lbs (52.1 kg).

IMPORTANT: To avoid damage to your cabinets, check with your builder or cabinet supplier to make sure that the materials used will not discolor, delaminate or sustain other damage. This oven has been designed in accordance with the requirements of UL and CSA International and complies with the maximum allowable wood cabinet temperatures of 194°F (90°C).

Cabinet Dimensions - Standard Installation



30" (76.2 cm) models

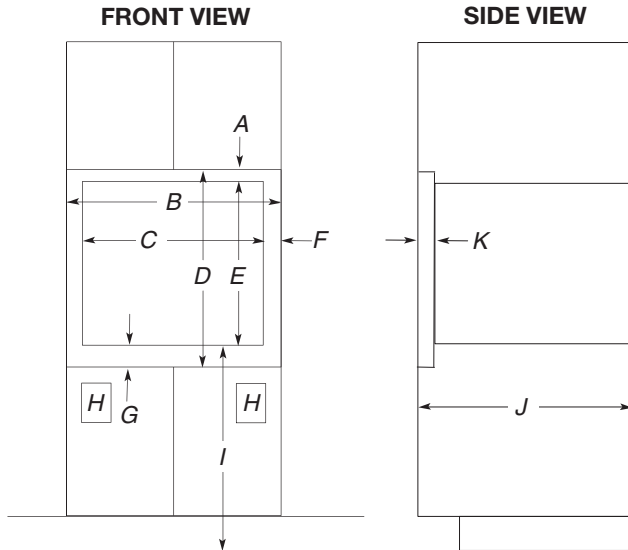
- A. 30" (76.2 cm) minimum cabinet width
- B. 19³/₁₆" (50.3 cm) from bottom of cutout to bottom of upper cabinet door
- C. 40" (101.6 cm) bottom of cutout to floor (recommended)
- D. 28¹/₂" (72.4 cm) cutout width
- E. 1¹/₂" (3.8 cm) minimum bottom of cutout to top of cabinet door
- F. 17⁵/₈" (44.7 cm) recommended cutout height (will fit cutout height from 17³/₈" [44.1 cm] to 17³/₄" [45.1 cm])
- G. 21⁷/₈" (55.5 cm) minimum cutout depth

Flush Installation

A 23¹/₄" (59 cm) minimum cutout depth is required.

These dimensions will result in a 1/4" (6 mm) reveal on the top, a 1/4" (6 mm) reveal on the sides, and a 1/8" (3 mm) reveal on the bottom of the microwave oven.

The front face of the cleats and platform will be visible and should be treated as a finished surface.



30" (76.2 cm) models

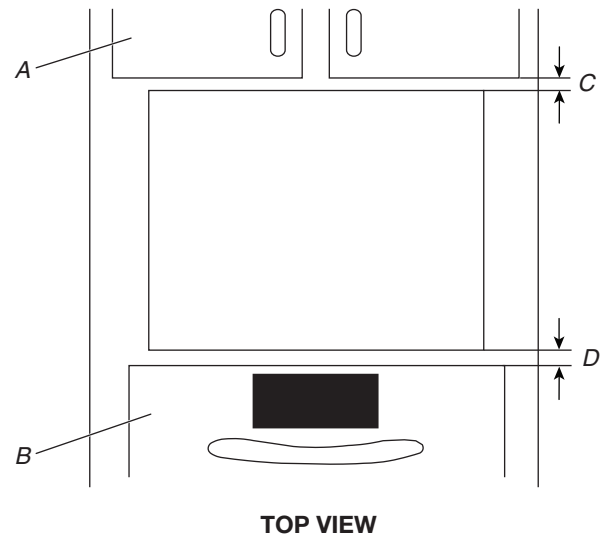
- A. 1¹³/₁₆" (4.7 cm) top cleat*
- B. 30¹/₄" (76.8 cm) minimum width of flush inset cutout
- C. 28¹/₂" (72.4 cm) minimum width of opening
- D. 20⁹/₁₆" (51.3 cm) minimum height of flush inset cutout
- E. 17⁵/₈" (44.7 cm) recommended cutout height
- F. 11/16" (1.7 cm) side cleat*
- G. 3/4" (1.9 cm) bottom cleat*
- H. Recommended junction box location
- I. 40" (101.6 cm) bottom of cutout to floor (recommended)
- J. 23¹/₄" (59 cm) minimum depth of cutout
- K. 1³/₈" (3.5 cm) recess from front of cabinet

*Cleats must be recessed 1³/₈" (3.5 cm) from the front of the cabinet.

Minimum Installation Clearances

For proper installation, the following minimum clearances must exist above and below the cabinet opening.

Installation Above Single Built-In Oven



- A. Upper cabinet
- B. Lower single oven
- C. 2¹/₄" (5.7 cm)
- D. 1" (2.5 cm) from top of oven

Electrical Requirements

⚠ WARNING

Electrical Shock Hazard

Disconnect power before servicing.

Electrically ground appliance.

Failure to do so can result in death, fire, or electrical shock.

If codes permit and a separate ground wire is used, it is recommended that a qualified electrical installer determine that the ground path and the wire gauge are in accordance with local codes.

Check with a qualified electrical installer if you are not sure the oven is properly grounded.

This oven must be connected to a grounded metal, permanent wiring system.

Be sure that the electrical connection and wire size are adequate and in conformance with the National Electrical Code, ANSI/NFPA 70-latest edition or CSA Standards C22.1-94, Canadian Electrical Code, Part 1 and C22.2 No. O-M91-latest edition, and all local codes and ordinances.

A copy of the above code standards can be obtained from:
National Fire Protection Association
1 Batterymarch Park
Quincy, MA 02169-7471
CSA International
8501 East Pleasant Valley Road
Cleveland, OH 44131-5575.

- If the house has aluminum wiring, follow the procedure below:

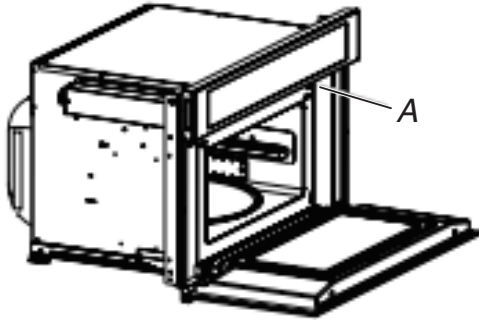
Connect the aluminum wiring using special connectors and/or tools designed and UL listed for joining copper to aluminum.

Follow the electrical connector manufacturer's recommended procedure. Aluminum/copper connection must conform with local codes and industry-accepted wiring practices.

Electrical Connection

To properly install your oven, you must determine the type of electrical connection you will be using and follow the instructions provided for it here.

- Microwave oven must be connected to the proper electrical voltage and frequency as specified on the model/serial/rating plate. The model/serial/rating plate is located underneath the control panel along the oven vent.

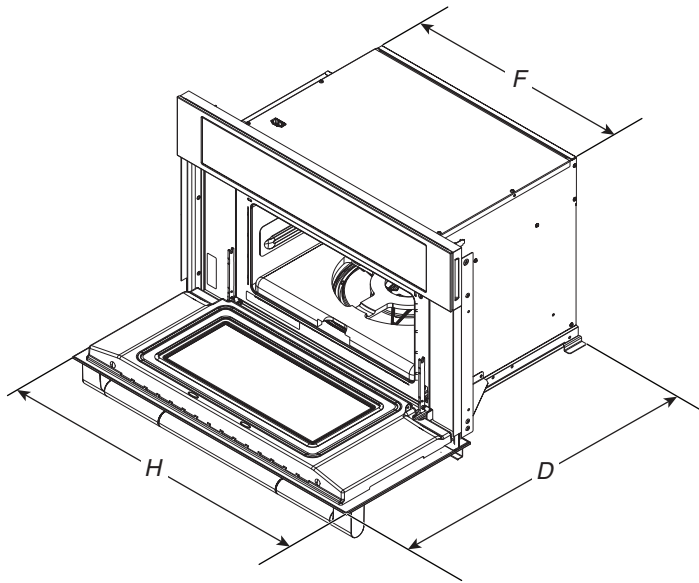


A. Model/serial/rating plate

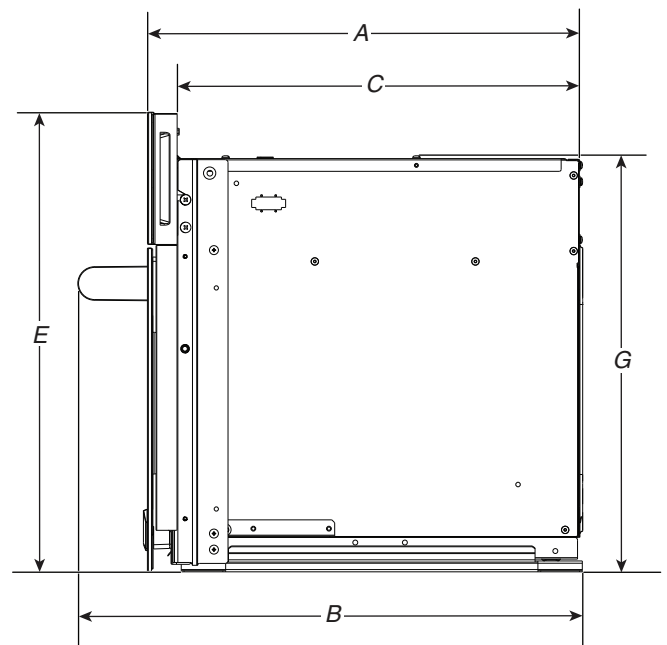
- The microwave oven has 4 wires (L1, L2, N, and G) in the flex conduit, and should be connected to a 20 A maximum-rated circuit, overcurrent protected on both the L1 and L2 circuits. For power requirements, refer to the serial tag.
- A time-delay fuse or circuit breaker is recommended.
- Flexible cable from the microwave oven should be connected directly to the junction box.
- Do not cut the conduit. The length of conduit provided is for serviceability of the microwave oven.
- A UL listed or CSA approved conduit connector must be provided.

FOUR ENCASTRÉ À FOUR À MICRO-ONDES DÉDIÉ JENNAIR®
 PRODUIT : JOEMC130RL; JOEMC130RM

APPAREIL :		FOUR ENCASTRÉ À FOUR À MICRO-ONDES DÉDIÉ 30 PO			
		JOEMC130RL00		JOEMC130RM00	
Unités		po	cm	po	cm
A	Profondeur, fermé sans poignée (en affleurement)	22 ³ / ₄	57,8	22 ³ / ₄	57,8
B	Profondeur, fermée avec poignée	25 ⁵ / ₈	65	24 ¹³ / ₁₆	63
C	Profondeur jusqu'à l'arrière de la console (installation standard)	21 ¹ / ₂	54,5	21 ¹ / ₂	54,5
D	Profondeur avec porte ouverte 90°	35 ⁷ / ₁₆	90	35 ⁷ / ₁₆	90
E	Hauteur maximum (incluant la console)	21	53,2	21	53,2
E	Hauteur minimum (incluant la console)	18 ³ / ₄	47,5	18 ³ / ₄	47,5
F	Largeur de l'avant	29 ¹³ / ₁₆	75,6	29 ⁷ / ₈	75,8
G	Hauteur maximum (sans la console)	17 ¹ / ₄	43,7	17 ¹ / ₄	43,7
G	Hauteur minimum (sans la console)	16 ¹³ / ₁₆	42,6	16 ¹³ / ₁₆	42,6
H	Largeur d'encastrement	N. D.	N. D.	N. D.	N. D.



VUE EN ANGLE



VUE LATÉRALE

IMPORTANT : Les spécifications dimensionnelles sont fournies uniquement à des fins de planification.
N'aménager aucune ouverture sur la base de cette information. Se référer au manuel de l'utilisateur avant de choisir une armoire, de vérifier les connexions électriques/au gaz, d'effectuer des découpes ou de commencer l'installation.

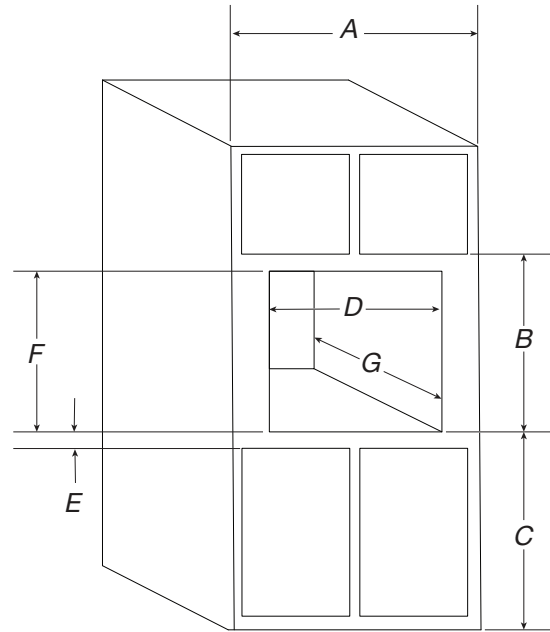
Exigences d'emplacement

IMPORTANT : Observer les dispositions de tous les codes et règlements en vigueur.

- Les dimensions d'ouverture de l'armoire indiquées doivent être utilisées. Ces dimensions tiennent compte des dégagements de séparation nécessaires pour le four.
- L'espace d'installation dans un encastrement doit permettre la formation d'une enceinte complète autour de la partie encastrée du four.
- Une source d'électricité avec liaison à la terre est nécessaire. Voir la section « Spécifications Électriques ».
- Le boîtier de raccordement doit être situé à moins de 3 po (7,6 cm) au-dessous de la surface de support lorsque le four est installé dans une armoire. Un trou d'un diamètre de 1 po (2,5 cm) ou plus doit avoir été percé dans l'angle arrière gauche ou droit de la surface de support pour le passage du câble d'alimentation de l'appareil jusqu'au boîtier de connexion.
- Pour une installation au-dessus d'un a seul four encastré, le boîtier de connexion doit se trouver à l'intérieur de l'armoire murale.
- Si l'on installe le boîtier de connexion sur le mur arrière, derrière le four à micro-ondes, le boîtier de connexion doit être encastré et placé dans l'angle inférieur ou supérieur de l'armoire, à gauche ou à droite, sans quoi le four ne pourra pas passer dans l'ouverture de l'armoire destinée à le recevoir.
- La surface de support du four à micro-ondes doit être robuste, horizontale et en affleurement avec le bas de l'ouverture découpée dans l'armoire. Le plancher doit pouvoir supporter un poids de 115 lb (52,1 kg).

IMPORTANT : Pour éviter d'endommager vos armoires, vérifier avec le fabricant ou le fournisseur d'armoires pour s'assurer que les matériaux utilisés ne décoloreront et ne délamineront pas ou ne subiront pas d'autres dommages. Ce four a été conçu conformément aux exigences des normes UL et CSA International et respecte les températures maximales permises de 194 °F (90 °C) pour les armoires en bois.

Dimensions de l'armoire – Installation standard



Modèles de 30 po (76,2 cm)

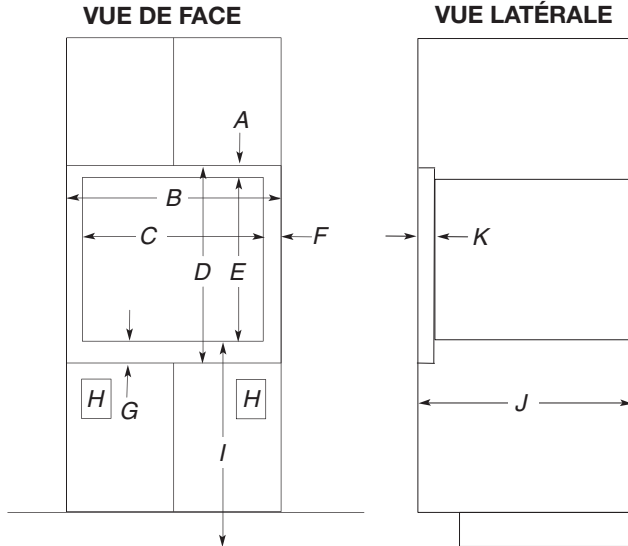
- A. Largeur minimum de l'armoire : 30 po (76,2 cm)
- B. 19 ¹³/₁₆ po (50,3 cm) entre le bas de l'encastrement et le bas de la porte de l'armoire supérieure
- C. 40 po (101,6 cm) du fond de l'encastrement au plancher (recommandé)
- D. 28 ¹/₂ po (72,4 cm) de largeur pour l'ouverture découpée
- E. Du fond de l'ouverture au dessus de la porte de l'armoire : 1 ¹/₂ po (3,8 cm) min.
- F. Hauteur recommandée pour l'encastrement de 17 ⁵/₈ po (44,7 cm) (convient à une hauteur d'encastrement comprise entre 17 ³/₈ po [44,1 cm] à 17 ³/₄ po [45,1 cm])
- G. Profondeur minimum de la découpe : 21 ⁷/₈ po (55,5 cm)

Installation en affleurement

Une découpe de 23 1/4 po (59 cm) minimum est requise.

Ces dimensions donneront un dégagement de 1/4 po (6 mm) au sommet, un dégagement de 1/4 po (6 mm) sur les côtés et un dégagement de 1/8 po (3 mm) au bas du four à micro-ondes.

Le côté avant des tasseaux et plates-formes sera visible et doit être traité comme une surface de finition.



Modèles de 30 po (76,2 cm)

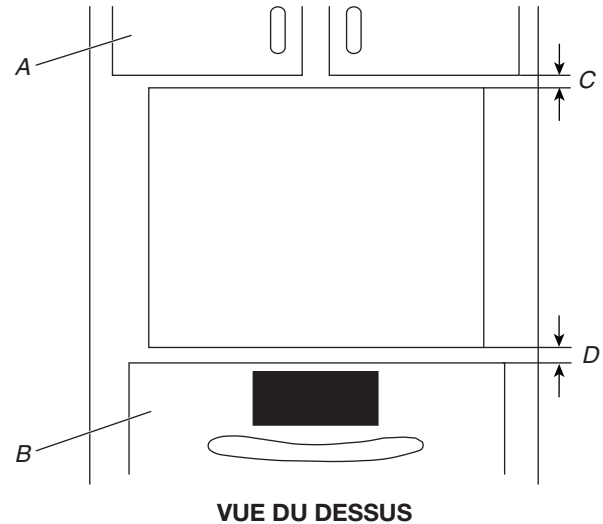
- A. Tasseau supérieur de 1 13/16 po (4,7 cm)*
- B. Largeur minimale de l'ouverture intégrée en affleurement : 30 1/4 po (76,8 cm)
- C. Largeur minimum de l'ouverture : 28 1/2 po (72,4 cm)
- D. Hauteur minimale de l'ouverture intégrée en affleurement : 20 3/16 po (51,3 cm)
- E. Hauteur recommandée de la découpe : 17 5/8 po (44,7 cm)
- F. Tasseau latéral de 1 11/16 po (1,7 cm)*
- G. Tasseau inférieur de 3/4 po (1,9 cm)*
- H. Emplacement recommandé pour la boîte de jonction
- I. 40 po (101,6 cm) du fond de l'encastrement au plancher (recommandé)
- J. Profondeur minimum de la découpe : 23 1/4 po (59 cm)
- K. Encastrement à partir de l'avant de l'armoire : 1 3/8 po (3,5 cm)

*Les tasseaux d'espacement doivent être encastrés à 1 3/8 po (3,5 cm) depuis l'avant de l'armoire.

Distances de dégagement minimales pour l'installation

Pour une installation correcte, les distances de dégagement minimales suivantes doivent être respectées au-dessus et au-dessous de l'ouverture dans l'armoire.

Installation par le dessus – Four encastré simple



- A. Armoire supérieure
- B. Four inférieur simple
- C. 2 1/4 po (5,7 cm)
- D. 1 po (2,5 cm) à partir du dessus du four

Spécifications électriques

⚠ AVERTISSEMENT

Risque de Décharge Électrique

Déconnecter la source de courant électrique avant l'entretien.

Appareil relié à la terre.

Le non-respect de ces instructions peut causer un décès, un incendie ou une décharge électrique.

Si on utilise un conducteur distinct de liaison à la terre et lorsque les codes le permettent, il est recommandé qu'un électricien qualifié vérifie que la liaison à la terre et le calibre des fils sont conformes aux codes locaux.

En cas de doute quant à la qualité de la liaison à la terre du four, consulter un électricien qualifié.

Ce four doit être raccordé à un système permanent, métallique de câblage relié à la terre.

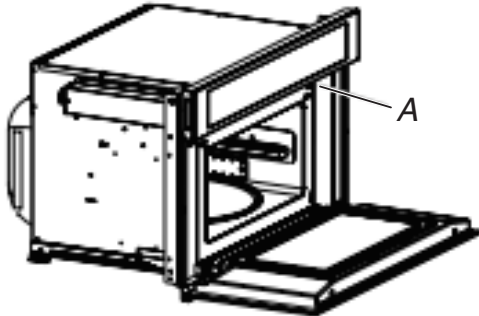
S'assurer que la connexion électrique et le calibre des fils sont appropriés et conformes au National Electrical Code, aux normes ANSI/NFPA 70 – dernière édition, ou aux normes CSA C22.1-94, au Code canadien de l'électricité, Partie 1 et C22.2 No O-M91 – dernière édition, et à tous les codes et règlements locaux.

Pour obtenir un exemplaire des normes des codes ci-dessus, contacter :
National Fire Protection Association
1 Batterymarch Park
Quincy, MA 02169-7471
CSA International
8501 East Pleasant Valley Road
Cleveland, OH 44131-5575.

Raccordement électrique

Pour installer le four de façon appropriée, il faut établir le type de raccords électriques qui sera utilisé et suivre les instructions de ce document.

- Le four à micro-ondes doit être alimenté par une source d'électricité appropriée (caractéristiques de tension et fréquence spécifiées sur la plaque signalétique). La plaque signalétique se trouve sous le tableau de commande, le long de l'évent du four.



A. Plaque signalétique du numéro de modèle et de série

- Le four à micro-ondes possède 4 conducteurs (L1, L2, N et terre) dans le câble flexible et doit être connecté à un circuit de 20 A d'intensité nominale maximale, protégé contre les surintensités sur les circuits L1 et L2. Pour les critères d'alimentation électrique, se reporter à l'étiquette de série.
- On recommande d'utiliser un fusible ou un disjoncteur temporisé.
- Le câble flexible du four à micro-ondes doit être connecté directement dans le boîtier de connexion.
- Ne pas couper le conduit. La longueur du conduit fourni est destinée à faciliter l'entretien/le dépannage éventuel du four à micro-ondes.
- L'installateur doit fournir un connecteur de conduit (homologation UL ou CSA).

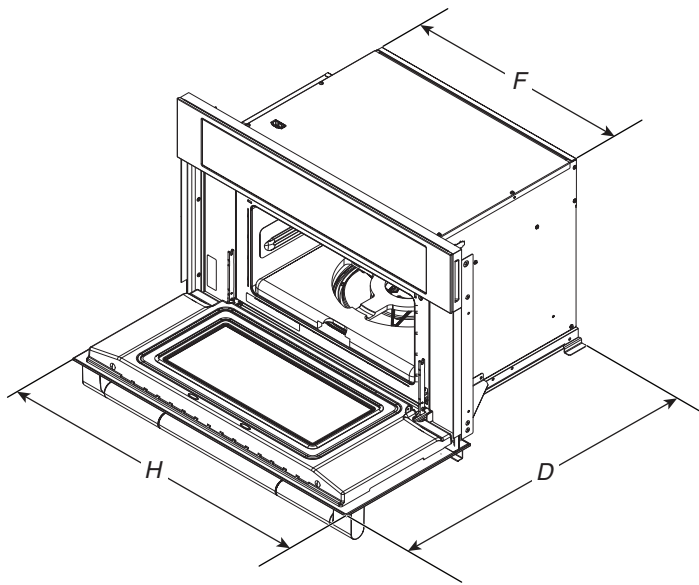
- Si le domicile possède un câblage en aluminium, suivre la procédure ci-dessous :

Connecter le câblage en aluminium en utilisant des capuchons ou des outils spécialement conçus et homologués UL pour raccorder le cuivre à l'aluminium.

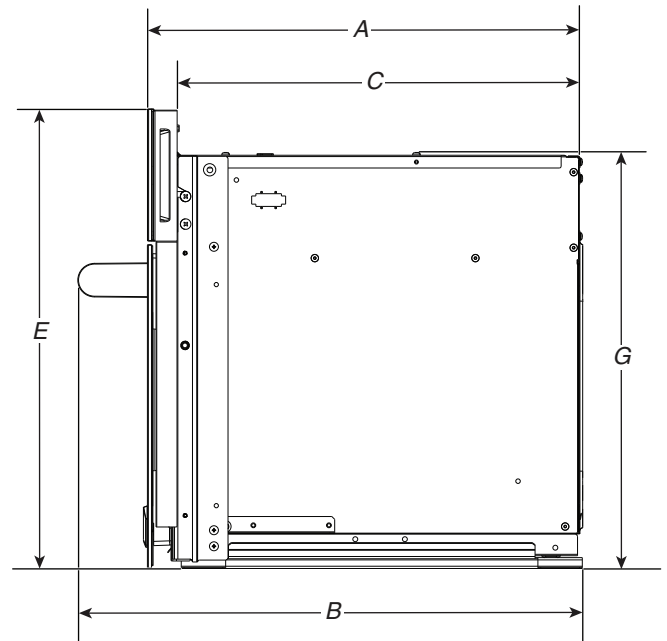
Suivre la procédure recommandée par le fabricant de connecteurs électriques. Les raccordements aluminium/cuivre doivent satisfaire aux prescriptions des codes locaux et de l'industrie, et être conformes aux pratiques de câblage reconnues.

HORNO DE PARED/MICROONDAS ESPECÍFICO JENNAIR®
 PRODUCTO: JOEMC130RL; JOEMC130RM

ELECTRODOMÉSTICO:		HORNO DE PARED/MICROONDAS ESPECÍFICO DE 30"			
		JOEMC130RL00		JOEMC130RM00	
Unidades		pulg.	cm	pulg.	cm
A	Profundidad del producto cerrado sin las manijas (instalación enrasada)	22 ³ / ₄	57,8	22 ³ / ₄	57,8
B	Profundidad del producto cerrado con las manijas	25 ⁵ / ₈	65	24 ¹³ / ₁₆	63
C	Profundidad hasta parte posterior de la consola (instalación estándar)	21 ¹ / ₂	54,5	21 ¹ / ₂	54,5
D	Profundidad con puerta abierta 90°	35 ⁷ / ₁₆	90	35 ⁷ / ₁₆	90
E	Altura máxima (incluida la consola)	21	53,2	21	53,2
E	Altura mínima (incluida la consola)	18 ³ / ₄	47,5	18 ³ / ₄	47,5
F	Ancho de frente	29 ¹³ / ₁₆	75,6	29 ⁷ / ₈	75,8
G	Altura máxima (sin incluir la consola)	17 ¹ / ₄	43,7	17 ¹ / ₄	43,7
G	Altura mínima (sin incluir la consola)	16 ¹³ / ₁₆	42,6	16 ¹³ / ₁₆	42,6
H	Ancho empotrado	N/D	N/D	N/D	N/D



VISTA EN ÁNGULO



VISTA LATERAL

IMPORTANTE: Las especificaciones de medidas son solo para fines de planificación.
No realice ningún corte basado en esta información. Consulte el Manual del propietario antes de la selección de gabinetes, verificar las conexiones eléctricas/de gas, realizar cortes o iniciar la instalación.

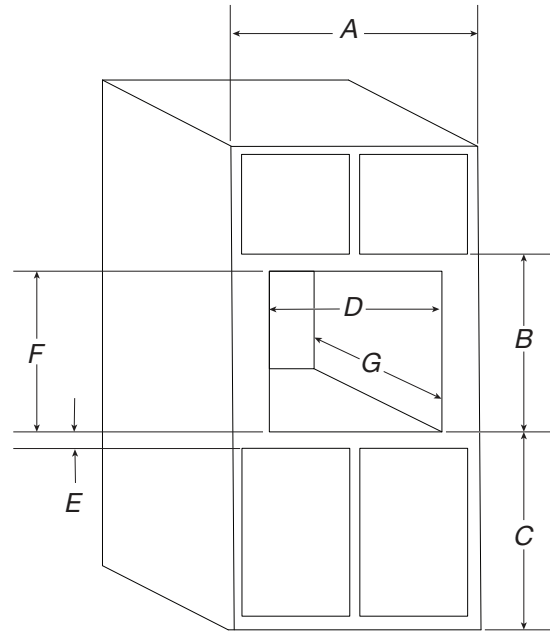
Requisitos de ubicación

IMPORTANTE: Respete todas las normativas y reglamentos vigentes.

- Deben usarse las dimensiones de la abertura del gabinete que se muestran. Las dimensiones dadas proveen un espacio mínimo, incluyendo el horno.
- El área de instalación empotrada debe estar completamente cerrada alrededor de la parte empotrada del horno.
- Se requiere un suministro eléctrico con conexión a tierra. Consulte la sección "Requisitos eléctricos".
- La caja de empalmes del suministro eléctrico debe estar como máximo a 3" (7,6 cm) por debajo de la superficie de soporte cuando el horno se instale en un gabinete de pared. Se debe perforar un orificio de 1" (2,5 cm) de diámetro como mínimo en la esquina trasera derecha o izquierda de la superficie de soporte para pasar el cable del electrodoméstico a través de la caja de empalmes.
- Para la instalación encima de un único horno empotrado, la caja de empalmes debe situarse en el interior del gabinete superior.
- Si va a instalar la caja de empalmes en la pared trasera detrás del horno microondas, la caja de empalmes debe estar empotrada y situada en la esquina superior o inferior derecha o izquierda del gabinete; de lo contrario, el horno microondas no cabrá en la abertura del gabinete.
- La superficie de apoyo del horno microondas debe ser maciza, estar nivelada y alineada con la parte inferior del recorte del gabinete. El piso debe poder soportar un peso de 115 lbs (52,1 kg).

IMPORTANTE: Para evitar daños a los gabinetes, consulte al constructor o al distribuidor de los gabinetes para asegurarse de que los materiales empleados no cambien de color, no se desprenda el laminado ni sufran ningún otro tipo de daño. Este horno fue diseñado de acuerdo con los requisitos de UL y CSA International y cumple con las temperaturas máximas permitidas para gabinetes de madera de 194 °F (90 °C).

Dimensiones del gabinete - Instalación estándar



Modelos de 30" (76,2 cm)

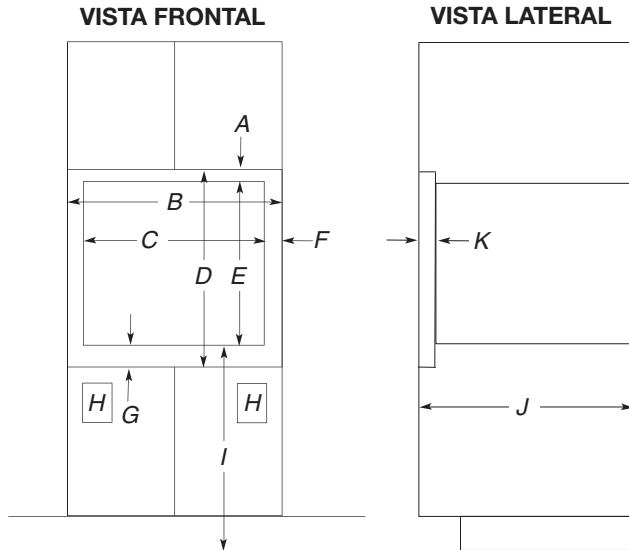
- A. 30" (76,2 cm) ancho mínimo del gabinete
- B. 19¹³/₁₆" (50,3 cm) desde la parte inferior del recorte hasta la parte inferior de la puerta del gabinete superior
- C. 40" (101,6 cm) de la parte inferior del recorte al piso (recomendado)
- D. 28¹/₂" (72,4 cm) de ancho mínimo de recorte
- E. 1¹/₂" (3,8 cm) mínimo de la parte inferior del recorte a la parte superior de la puerta del gabinete
- F. Altura de recorte recomendada 17³/₈" (44,7 cm) (se ajustará a alturas de recorte de 17³/₈" [44,1 cm] a 17³/₄" [45,1 cm])
- G. 21⁷/₈" (55,5 cm) de profundidad del recorte mínima

Instalación empotrada

Se requiere una profundidad de recorte mínima de 23 1/4" (59 cm).

Estas dimensiones resultarán en una mocheta de 1/4" (6 mm) en la parte superior, una mocheta de 1/4" (6 mm) en los lados y otra de 1/8" (3 mm) en la parte inferior del horno microondas.

La cara frontal de los tacos y la plataforma serán visibles y deben tratarse como superficie terminada.



Modelos de 30" (76,2 cm)

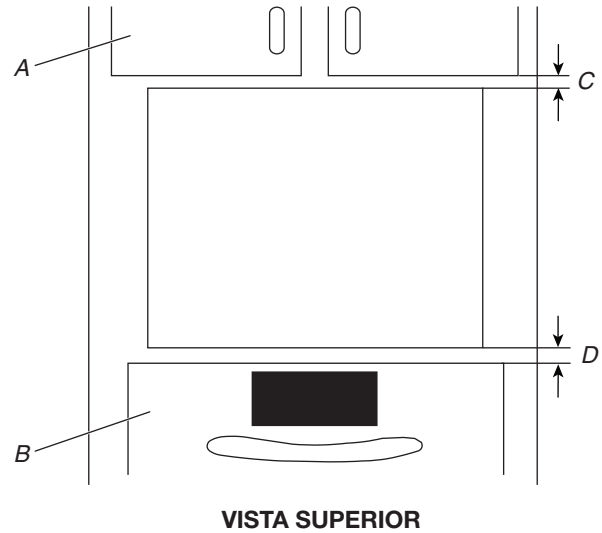
- A. 1 13/16" (4,7 cm) taco superior*
- B. 30 1/4" (76,8 cm) de ancho mínimo de recorte empotrado al ras
- C. 28 1/2" (72,4 cm) de ancho mínimo de apertura
- D. 20 9/16" (51,3 cm) de altura mínima de recorte empotrado al ras
- E. 17 5/8" (44,7 cm) de altura del recorte recomendado
- F. 1 1/16" (1,7 cm) taco lateral*
- G. 3/4" (1,9 cm) taco inferior*
- H. Ubicación recomendada de la caja de empalmes
- I. 40" (101,6 cm) de la parte inferior del recorte al piso (recomendado)
- J. 23 1/4" (59 cm) de profundidad mínima de recorte
- K. 1 3/8" (3,5 cm) hueco del frente del gabinete

*Los tacos deben estar empotrados a 1 3/8" (3,5 cm) de la parte frontal del gabinete.

Espacios libres mínimos para la instalación

Para una instalación correcta, deben existir las siguientes distancias mínimas por encima y por debajo de la abertura del gabinete.

Instalación sobre el horno empotrado individual



- A. Gabinete superior
- B. Horno individual inferior
- C. 2 1/4" (5,7 cm)
- D. 1" (2,5 cm) de la parte superior del horno

Requisitos eléctricos

⚠ ADVERTENCIA

Peligro de Choque Eléctrico

Desconecte el suministro de energía antes de realizar el servicio.

Conecte este aparato con conexión a tierra.

No seguir estas instrucciones puede causar la muerte, un incendio o una descarga eléctrica.

Si los códigos lo permiten y se emplea un cable de conexión a tierra separado, se recomienda que un instalador eléctrico competente determine si la ruta de conexión a tierra y el calibre del cable están de acuerdo con los códigos locales.

Si no está seguro de que la conexión a tierra del horno sea la adecuada, verifíquela con un instalador eléctrico competente.

Este horno debe estar conectado a un sistema de cableado de metal permanente, conectado a tierra.

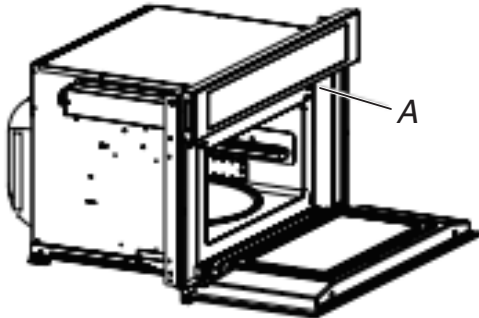
Asegúrese de que la conexión eléctrica y el tamaño del cable sean adecuados y en conformidad con el National Electrical Code (Código Nacional Eléctrico), ANSI/NFPA 70, última edición, o las normas de CSA C22.1-94, Canadian Electrical Code (Código Canadiense de Electricidad), Parte 1 y C22.2 N.º O-M91, última edición, y todos los códigos y ordenanzas locales.

Puede obtener una copia de los códigos antes indicados en:
National Fire Protection Association
1 Batterymarch Park
Quincy, MA 02169-7471
CSA International
8501 East Pleasant Valley Road
Cleveland, OH 44131-5575.

Conexión eléctrica

Para instalar el horno correctamente, se debe determinar el tipo de conexión eléctrica que se va a usar y seguir las instrucciones que aquí se proveen para el caso.

- El horno microondas debe estar conectado al voltaje eléctrico y frecuencia apropiados según se especifica en la placa con el número de clasificación del modelo/serie. La placa de modelo/serie/clasificación se encuentra debajo del panel de control, a lo largo de la rejilla de ventilación del horno.



A. Placa de modelo/serie/valores nominales

- El horno microondas tiene 4 cables (L1, L2, N y G) en el conducto flexible, y debe conectarse a un circuito de 20 A como máximo, protegido contra sobrecargas tanto en el circuito L1 como en el L2. Para los requisitos de potencia, consulte la etiqueta de serie.
- Se recomienda un fusible retardador o un cortacircuitos.
- El cable flexible del horno microondas debe conectarse directamente a la caja de empalmes.
- No corte el conducto. La longitud del conducto provisto es para permitir darle servicio al horno microondas.
- Deberá proveerse un conector de conducto que esté en la lista de UL o aprobado por CSA.

- Si la casa tiene cableado de aluminio, siga el procedimiento a continuación:

Conecte el cableado de aluminio usando conectores especiales y/o herramientas diseñadas y de la lista de UL para unir el cobre al aluminio.

Siga el procedimiento recomendado por el fabricante del conector eléctrico. La conexión de cobre/aluminio deberá hacerse en conformidad con los códigos locales y las prácticas de cableado aceptadas por la industria.